

TOOLMASTER OTT SYSTEM

Pull Stud

BT-40



TOOLMASTER Pull Stud OTT SYSTEM

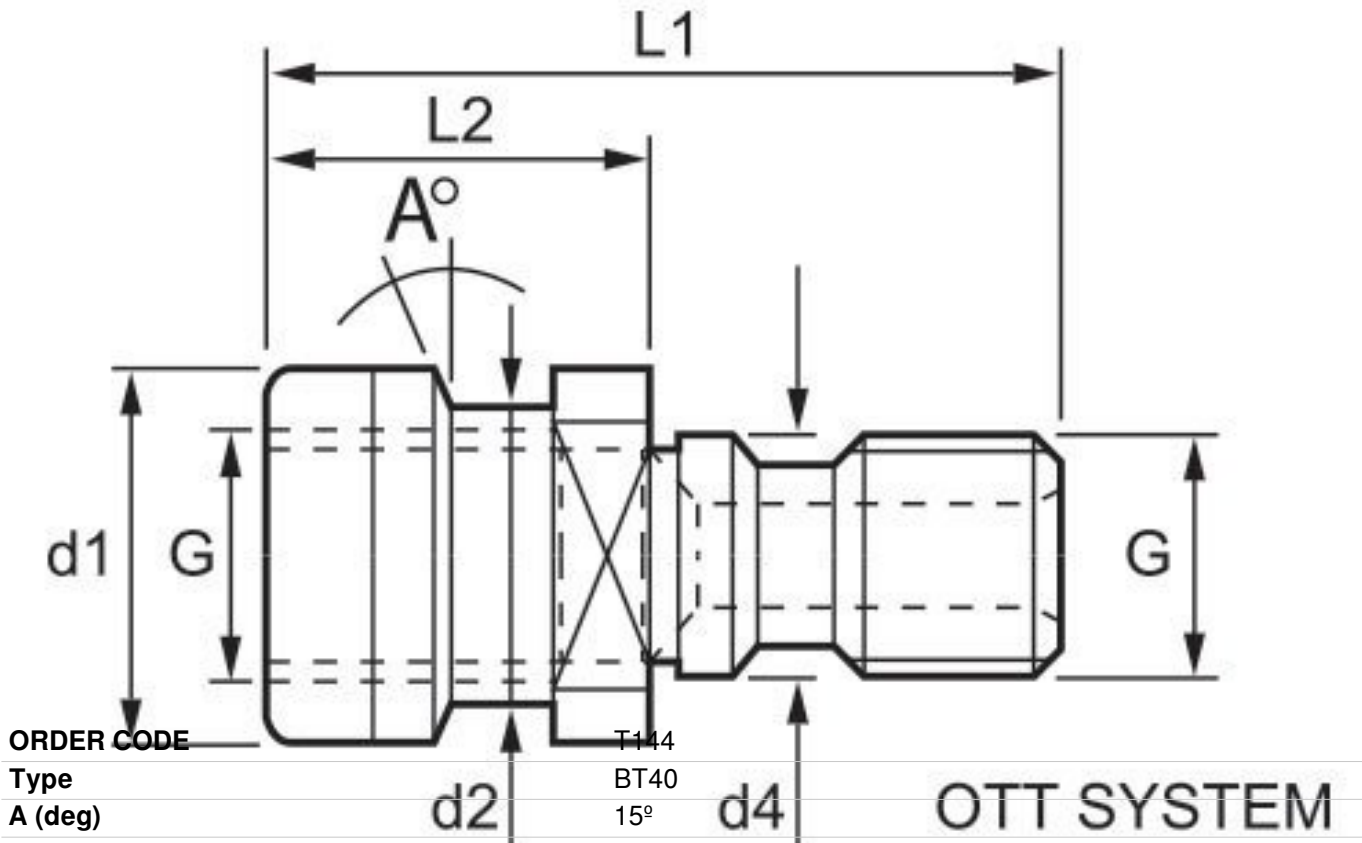
Description

OTT System used for changing BT40 holders to NT40

Features

- Precision ground
- Through coolant
- Suits M16 pull stud thread

Specifications



ORDER CODE	T144
Type	BT40
A (deg)	15°
G (mm)	M16
d1 (mm)	25.3
d2 (mm)	21.1
d3 (mm)	~
d4 (mm)	17.0
D5 (mm)	~
L1 (mm)	55.95
L2 (mm)	27.95
W (mm)	~