



TOOLMASTER MAS P40T 45°

Pull Stud

BT-40



TOOLMASTER Pull Stud MAS P40T 45°

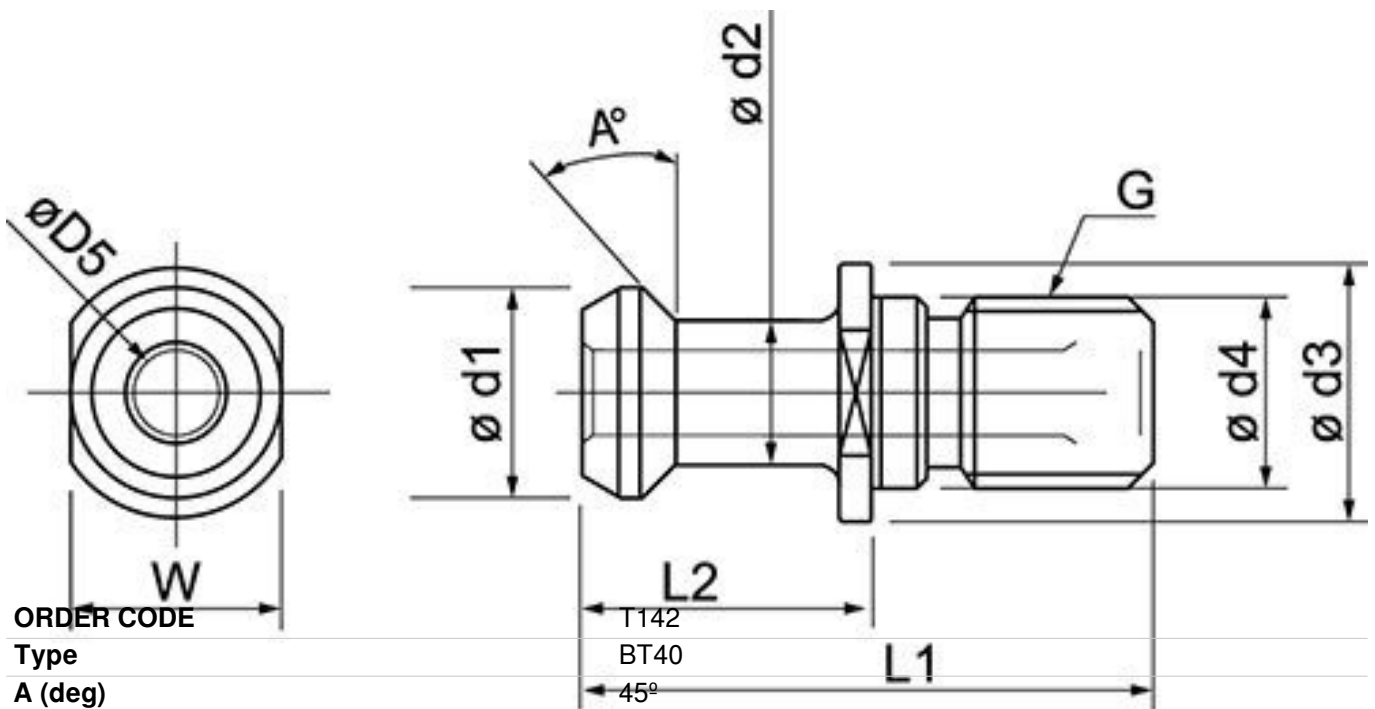
Description

Description: Precision ground through coolant

Features

- Through Coolant with M16 thread
- MAS403BT40 standard

Specifications



ORDER CODE	T142
Type	BT40
A (deg)	45°
G (mm)	M16
d1 (mm)	15.0
d2 (mm)	10.0
d3 (mm)	23.0
d4 (mm)	17.0
D5 (mm)	4.0
L1 (mm)	60.00
L2 (mm)	35.00
W (mm)	19.0