



TOOLMASTER

ER32 x 32 x 100 Floating Tap Holder

M3-M25



TOOLMASTER ER32 x 32 x 100 Floating Tap Holder

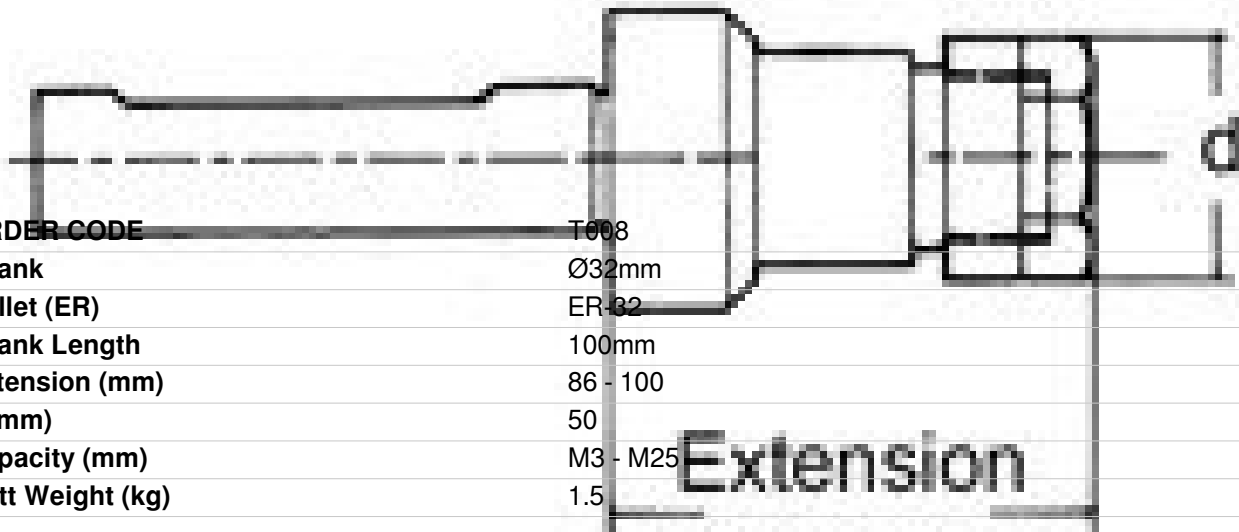
Description

Manufactured from top quality SCM-12 alloy steel, hardened and precision ground. Ideal for all CNC lathes and machining centres
 Designed to use standard ER-32 collets
 Note - Spanner and Tap Not supplied

Features

- Floating spring cushion for automatic position adjustment, avoiding damaged threads; Square shank of tap is securely held by four grub screws to prevent twisting

Specifications



ORDER CODE	T008
Shank	Ø32mm
Collet (ER)	ER-32
Shank Length	100mm
Extension (mm)	86 - 100
d (mm)	50
Capacity (mm)	M3 - M25
Nett Weight (kg)	1.5

Extension