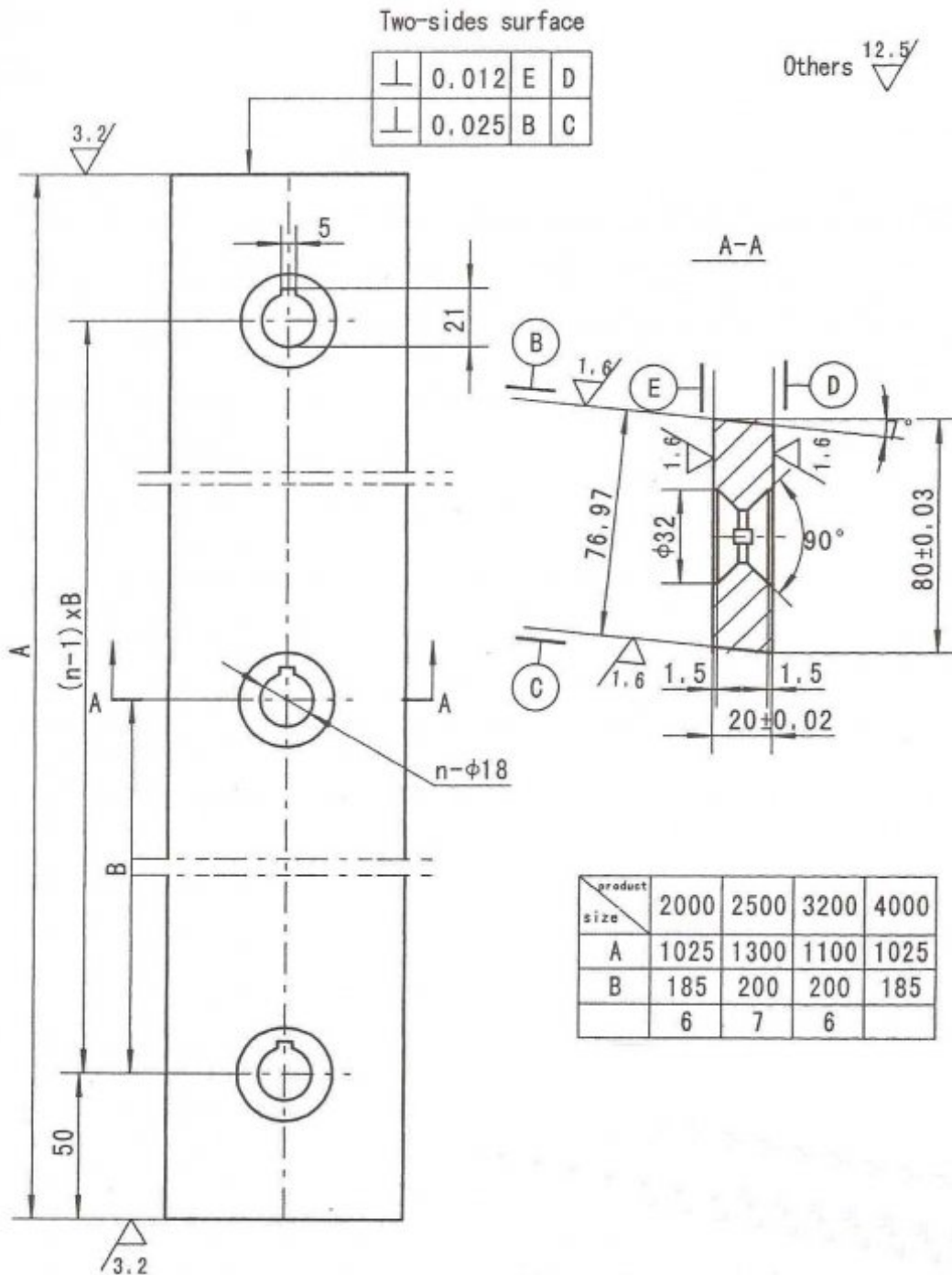


**METALMASTER GB-110.8020**

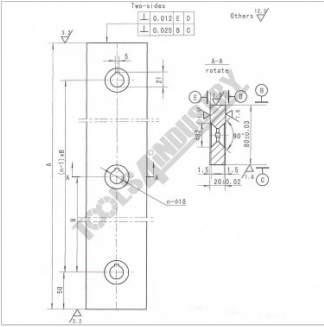


**3200mm Sheet Metal Guillotine Blade Set - 6CrW2Si**

**1100 x 80 x 20mm**



**METALMASTER 3200mm Sheet Metal Guillotine Blade Set - 6CrW2Si GB-110.8020**



Bottom Blade

**Description**

Blades made from 6CrW2Si material suitable for cutting stainless steel

**Includes**

- Top & Bottom Blade Set

**Specifications**

<b>ORDER CODE</b>	S9987
<b>MODEL</b>	GB-110.8020
<b>Suits Guillotine Cut Length (mm)</b>	3200
<b>Blade Size (mm)</b>	1100 x 80 x 20
<b>Blade Material</b>	6CrW2Si
<b>Top Blade Set</b>	3 Piece
<b>Bottom Blade Set</b>	3 Piece