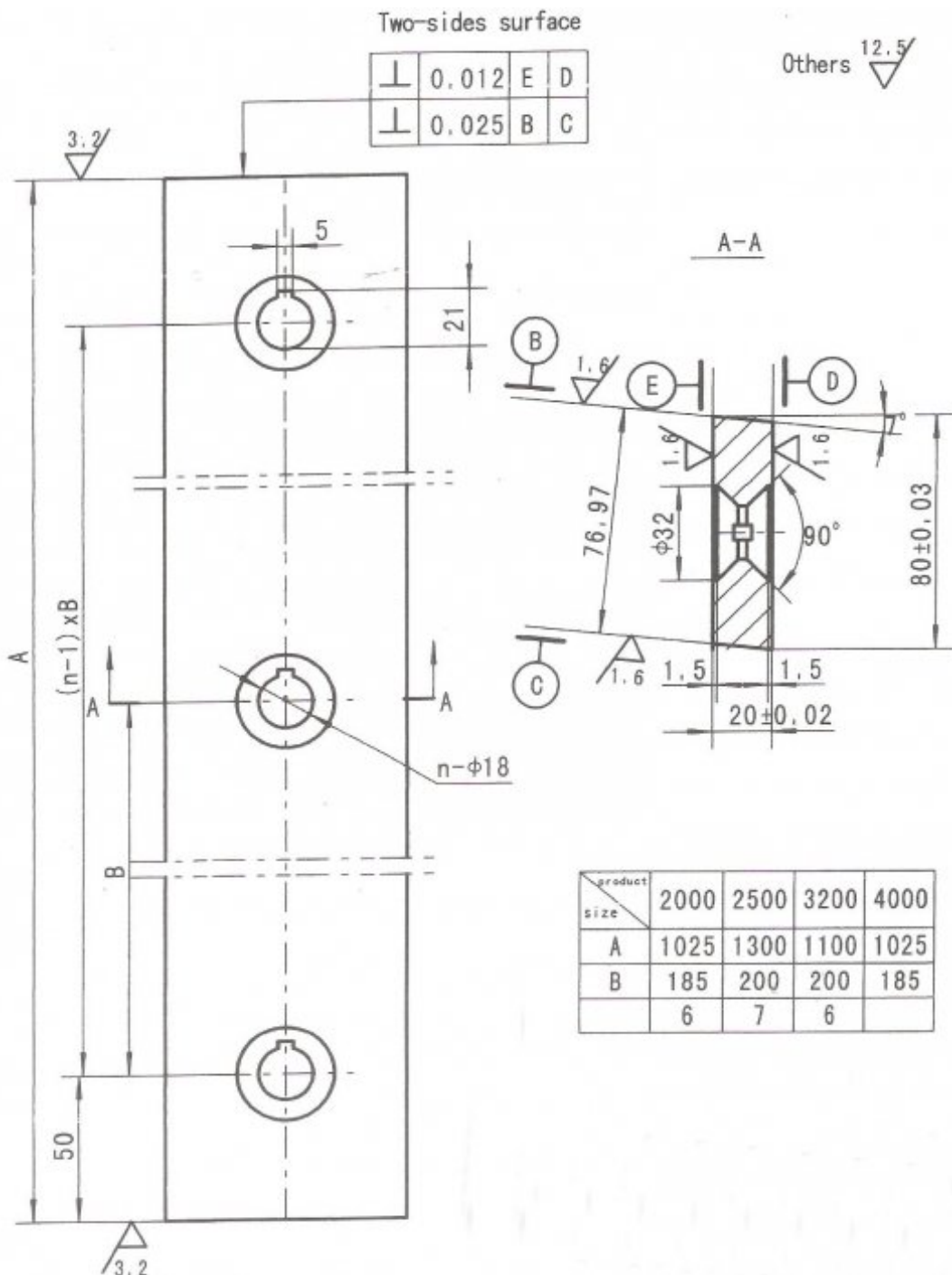


METALMASTER GB-130.8020

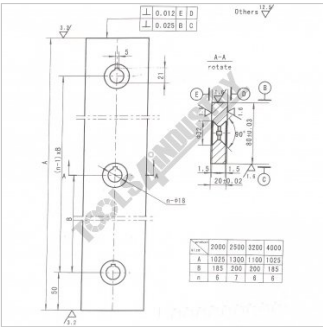


2540mm Sheet Metal Guillotine Blade Set - 6CrW2Si

1300 x 80 x 20mm



METALMASTER 2540mm Sheet Metal Guillotine Blade Set - 6CrW2Si GB-130.8020



Bottom Blade

Description

Blades made from 6CrW2Si material suitable for cutting stainless steel

Includes

- Top & Bottom Blade Set

Specifications

ORDER CODE	S9986
MODEL	GB-130.8020
Suits Guillotine Cut Length (mm)	2540
Blade Size (mm)	1300 x 80 x 20
Blade Material	6CrW2Si
Top Blade Set	2 Piece
Bottom Blade Set	2 Piece