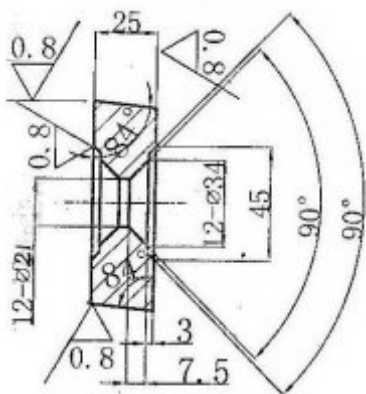
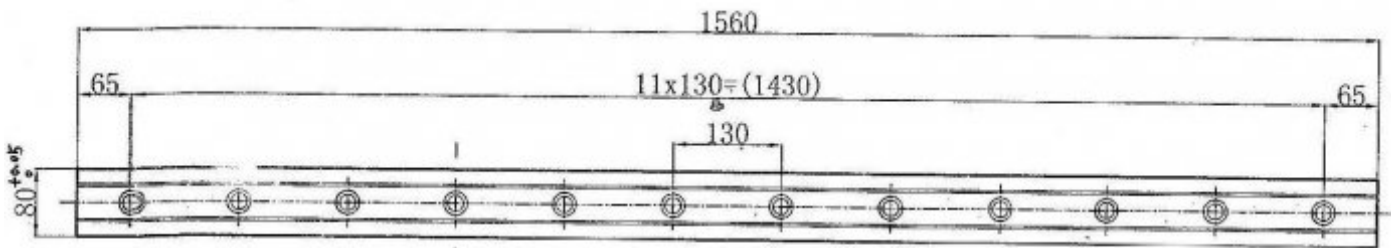


**METALMASTER GB-156.8025**

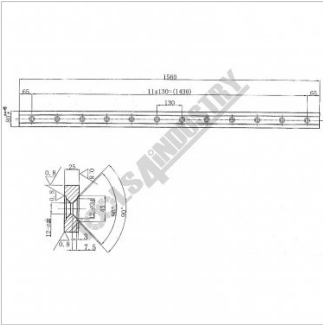


**3100mm Sheet Metal Guillotine Blade Set - 9CrSi**

**1560 x 80 x 25mm**



**METALMASTER 3100mm Sheet Metal Guillotine Blade Set - 9CrSi GB-156.8025**



Bottom Blade

**Description**

Blades made from 9CrSi material suitable for cutting stainless steel

**Includes**

- Top & Bottom Blade Set

**Specifications**

<b>ORDER CODE</b>	S9984
<b>MODEL</b>	GB-156.8025
<b>Suits Guillotine Cut Length (mm)</b>	3100
<b>Blade Size (mm)</b>	1560 x 80 x 25
<b>Blade Material</b>	9CrSi
<b>Top Blade Set</b>	2 Piece
<b>Bottom Blade Set</b>	2 Piece