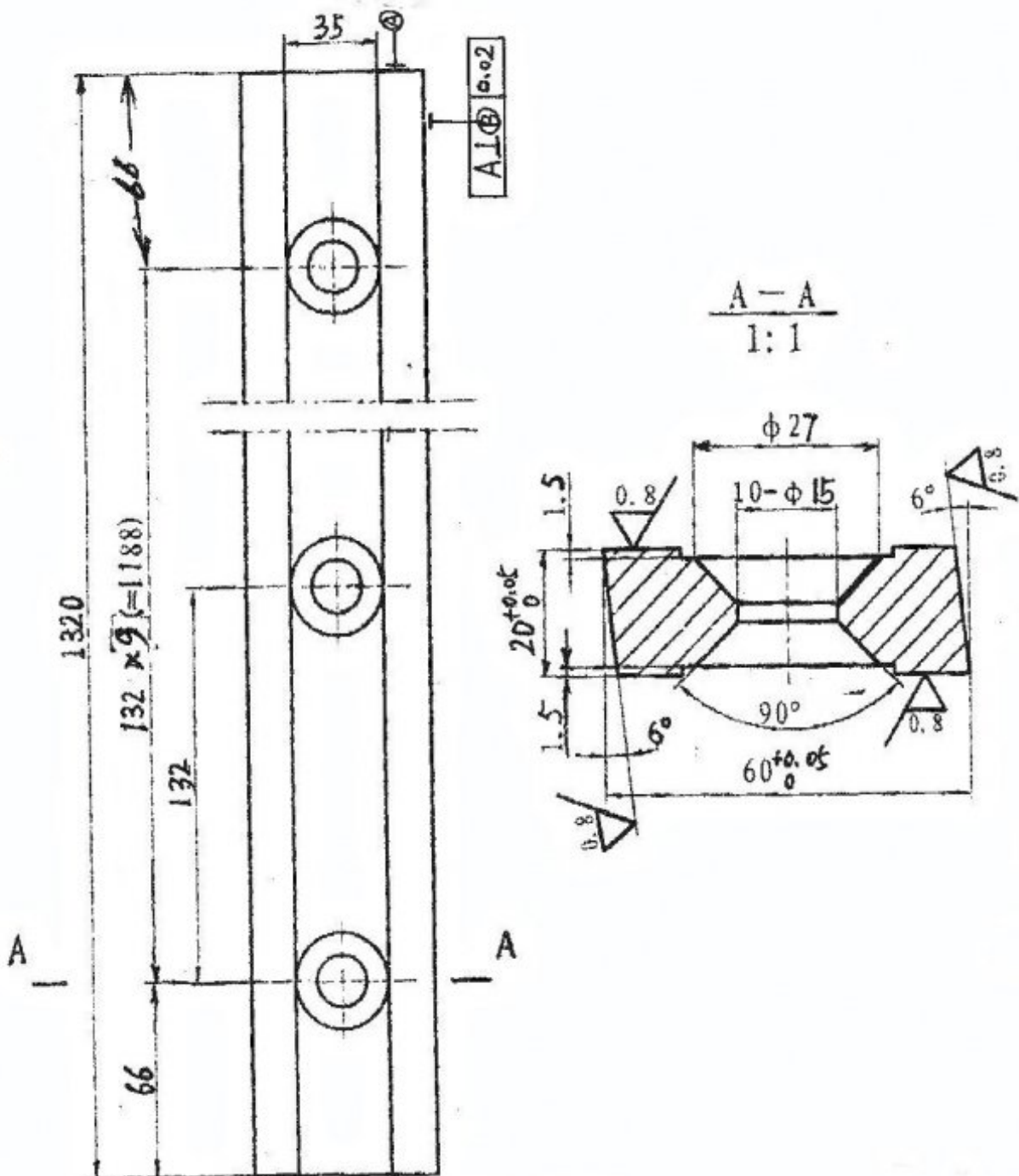


METALMASTER GB-132.6020

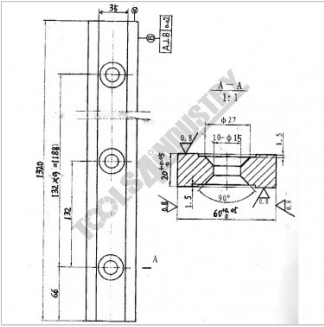


1320mm Sheet Metal Guillotine Blade Set - 9CrSi

1320 x 60 x 20mm



METALMASTER 1320mm Sheet Metal Guillotine Blade Set - 9CrSi GB-132.6020



Bottom Blade

Description

Blades made from 9CrSi material suitable for cutting stainless steel

Includes

- Top & Bottom Blade Set

Specifications

ORDER CODE	S9981
MODEL	GB-132.6020
Suits Guillotine Cut Length (mm)	1320
Blade Size (mm)	1320 x 60 x 20
Blade Material	9CrSi
Top Blade Set	1 Piece
Bottom Blade Set	1 Piece