

METALMASTER



CNC Press brake DELEM DA69S - 7 Axis

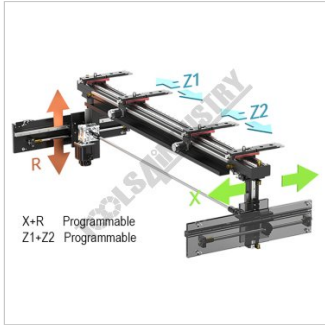
3200 X 125T - HYBRID ENERGY SAVING SERVO HYDRAULICS



METALMASTER CNC Press brake DELEM DA69S - 7 Axis



DELEM DA69S Controller



X R Z1 Z2 Programmable
Backgauge



4 Way Die Block



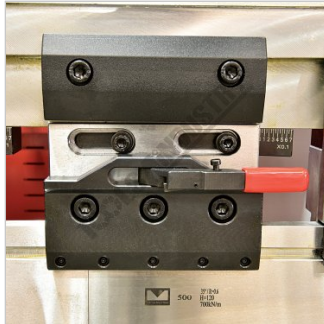
Adjustable Sliding Front Sheet Supports



Laser Guarding System With Alignment Guide



CNC Table Crowning



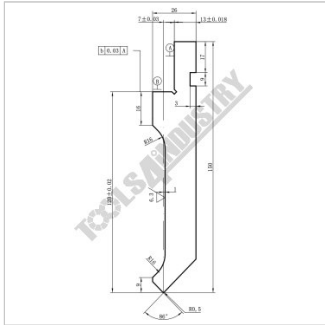
Quick Release Tool Clamps
Change Tools Without Sliding Them All Out



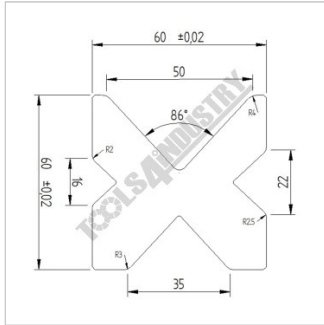
Eco Friendly Servo Driven Hydraulics



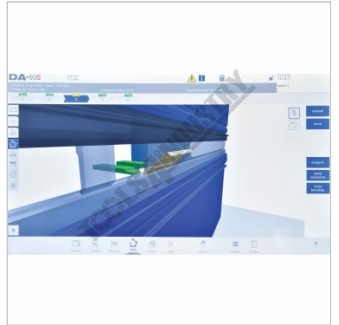
Safety Monitoring Valve



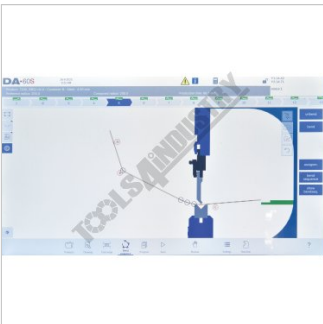
Segmented Top Punch



60x60 4 Way Die 86 Deg Euro



3D Bend Sequence



2D Bend Sequence



3D Drawing



2D Drawing



Main Screen

METALMASTER CNC Press brake DELEM DA69S - 7 Axis



Electrical Panel

Description

DELEM DA69S CNC Controller
 DELEM's Latest DA-69S flagship control combines solid fundamental press brake control functionality with the latest of enhancements increasing productivity

The DA-69S offers 2D as well as 3D programming that includes automatic bend sequence calculation and collision detection. Full 3D machine set-up with multiple tool stations giving true feedback on the product feasibility and handling. The offline programming software is standard, Profile-S 3D offline increases efficiency and machine uptime. DXF import as well as 3D import (Step/Iges) are available to help convert designs as well as tooling

METALMASTER CNC Press brake

The Metalmaster Synchro series pressbrakes adopt a heavy duty integral welded steel structure that is furnace tempered post welding to relieve residual stresses and ensure accuracy & longevity of the machine.

The hydraulic cylinders are manufactured from high resistance steel incorporating chromium plated ground & lapped pistons to ensure longevity of the Swedish brand SKF hydraulic seals

SERVO HYDRAULIC system consists of electronically controlled proportional valves with independent 3 point closed loop safety monitoring of the two cylinders as well as the main hydraulic system. Servo hydraulic systems can significantly reduce energy consumption compared to traditional hydraulic systems.

Italian manufactured DSP Laser Guarding ensures operator safety whilst in operation. The Laser system is designed to cater for many different types and sizes of top tooling ensuring safety at the appropriate points as required by the AUS/NZ standards.

At the heart of the electrical system is the Italian made MCS safety control module which controls & monitors all pressbrake functionality, the MCS provides dual monitoring & closed loop feedback for all critical safety functions such as Hydraulic valves, Emergency stop circuits, doors, guards, foot pedal, DSP lasers to name a few functions. This ensures the machinery to be Compliant with AS/NZS 4024.1 - 2019 Safety of Machinery Series

METALMASTER CNC Press brake DELEM DA69S - 7 Axis

Features

- DELEM DA69S CNC Controller
- Large 24" High resolution colour touch screen control mounted on a swivel pendant for optimal ergonomics
- 3D and 2D graphical touch screen programming mode
- 3D visualisation in simulation and production mode
- Automatic bend sequence calculation in 2D and 3D
- Easy graphical bend sequence swap and move
- Calculations such as Bend allowance, Developed length, Bottoming force, Hemming force, Auto bumping, Radius programming
- Auto Crowning adjustment
- Tool configuration
- Shop floor control, Job list functionality
- USB, peripheral interface
- Support for Industry 4.0 connectivity (OPC-UA optional)
- Delem Profile S-3D offline software
- DXF import support, IGES 3D File import

- METALMASTER CNC Press brake
- 7 CNC Controlled Axis (Y1, Y2, X, R, V Z1, Z2) as standard.
- Y1 & Y2 Axis is controlled by advanced safety monitored hydraulic proportional valves ensuring accuracy in movement.
- Servo hydraulic system consumes 30–70% less energy compared to conventional fixed-speed hydraulic setups.
- Bending compensation & accuracy is maintained using FAGOR (Spain) Linear scales mounted on either end of the machine bed to measure any frame deflection
- CNC controlled auto crowning table (V) adjusts accordingly based on material, length & thickness specified in program.
- Servo driven X & R Axis provides fast response & accuracy when positioning the backgauge.
- Servo driven Z1 & Z2 Axis positions the back gauge fingers during programming
- X-Axis Linear guides & ball screws (Taiwan) / R-Axis rack & pinion
- X axis travel 500mm - Speed = 200 mm/s
- R axis travel 150mm - Speed = 100 mm/s
- Flip up type back gauge fingers mounted on linear rails complete with micro adjusters are provided as standard
- Advanced push button quick release tooling top clamps allow for the top tooling to be removed from the front of the clamp rather than sliding all of the tooling left & or right, this saves time and ensures you are not shifting all your tooling just to change 1 piece.
- Premium front sheet supports, fully adjustable in the vertical direction & mounted on linear rails for ease of use.

Includes

- DELEM DA69S CNC Touch screen controller
- 7 Axis CNC Control, programmable Z1 & Z2
- Servo Motor Hydraulics for energy saving
- Quick release top tool clamping system with advanced front load tooling system
- 86 Degree Top Punch with Segments & Horns (3 x 800mm, 1 x Segmented 800mm comprising of Left Horn 100, 10, 15, 20, 40, 50, 165, 300, Right Horn 100)
- Bottom Die 4 Way x 86 Degree V'S 16, 22, 35, 50mm
- DSP Safety laser guard system
- MCS safety control for safety compliance & peace of mind

METALMASTER CNC Press brake DELEM DA69S - 7 Axis

Specifications

ORDER CODE	S9772
MODEL	SPB-32125
Control Unit (Type)	DELEM DA69S
Nominal Pressure - Tonnage (Ton)	125
Nominal Pressure - Kilonewtons (kN)	1250
Length of Work Table (mm)	3200
Distance Between Columns (mm)	2655
Throat Depth (mm)	400
Maximum Open Height (mm)	445
Ram Stroke (mm)	200
Machine Axis (No.)	7
Safety Guarding System (Type)	Laser System
X Axis Backgauge Travel (mm)	600
R Axis Backgauge Travel (mm)	150
Z1 & Z2 Axis Back gauge fingers	2 Programmable + 2 Manual
Table Bed Crowning System (Type)	CNC Controlled System
Motor Power (kW / hp)	10.8 SERVO MOTOR
Motor Voltage (V)	415
Floor Space (mm)	4250 x 2150
Nett Weight (kg)	7500