

**METALMASTER**



**CNC Press brake DELEM DA69S - 5+2 Axis**

**4000 X 220T - HYBRID ENERGY SAVING SERVO HYDRAULICS**



**METALMASTER CNC Press brake DELEM DA69S - 5+2 Axis**



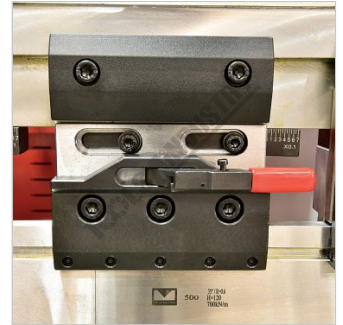
DELEM DA69S Controller



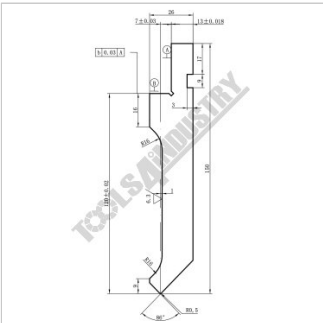
Laser Guarding System With Alignment Guide



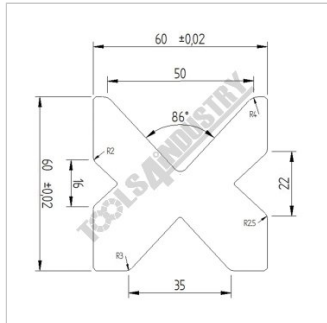
Eco Friendly Servo Driven Hydraulics



Quick Release Tool Clamps Change Tools Without Sliding Them All Out



Segmented Top Punch



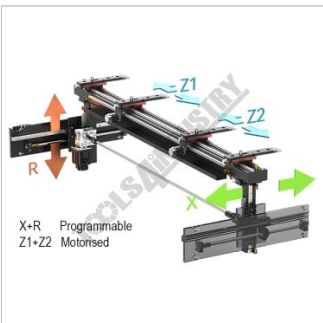
60x60 4 Way Die 86 Deg Euro



4 Way Die Block



Adjustable Sliding Front Sheet Supports



X R Programmable Z1 Z2 Motorised Backgauge



Z1 Z2 Motorised back gauge finger controls



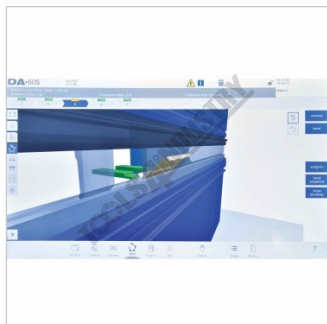
CNC Table Crowning



Safety Monitoring Valve



Electrical Panel



3D Bend Sequence



2D Bend Sequence



3D Drawing

## METALMASTER CNC Press brake DELEM DA69S - 5+2 Axis



2D Drawing



Main Screen

### Description

#### DELEM DA69S CNC Controller

DELEM's Latest DA-69S flagship control combines solid fundamental press brake control functionality with the latest of enhancements increasing productivity

The DA-69S offers 2D as well as 3D programming that includes automatic bend sequence calculation and collision detection. Full 3D machine set-up with multiple tool stations giving true feedback on the product feasibility and handling. The offline programming software is standard, Profile-S 3D offline increases efficiency and machine uptime. DXF import as well as 3D import (Step/Iges) are available to help convert designs as well as tooling

#### METALMASTER CNC Press brake

The Metalmaster Synchro series pressbrakes adopt a heavy duty integral welded steel structure that is furnace tempered post welding to relieve residual stresses and ensure accuracy & longevity of the machine.

The hydraulic cylinders are manufactured from high resistance steel incorporating chromium plated ground & lapped pistons to ensure longevity of the Swedish brand SKF hydraulic seals

SERVO HYDRAULIC system consists of electronically controlled proportional valves with independent 3 point closed loop safety monitoring of the two cylinders as well as the main hydraulic system. Servo hydraulic systems can significantly reduce energy consumption compared to traditional hydraulic systems.

Italian manufactured DSP Laser Guarding ensures operator safety whilst in operation. The Laser system is designed to cater for many different types and sizes of top tooling ensuring safety at the appropriate points as required by the AUS/NZ standards.

At the heart of the electrical system is the Italian made MCS safety control module which controls & monitors all pressbrake functionality, the MCS provides dual monitoring & closed loop feedback for all critical safety functions such as Hydraulic valves, Emergency stop circuits, doors, guards, foot pedal, DSP lasers to name a few functions. This ensures the machinery to be Compliant with AS/NZS 4024.1 - 2019 Safety of Machinery Series

## METALMASTER CNC Press brake DELEM DA69S - 5+2 Axis

### Features

- DELEM DA69S CNC Controller
- Large 24" High resolution colour touch screen control mounted on a swivel pendant for optimal ergonomics
- 3D and 2D graphical touch screen programming mode
- 3D visualisation in simulation and production mode
- Automatic bend sequence calculation in 2D and 3D
- Easy graphical bend sequence swap and move
- Calculations such as Bend allowance, Developed length, Bottoming force, Hemming force, Auto bumping, Radius programming
- Auto Crowning adjustment
- Tool configuration
- Shop floor control, Job list functionality
- USB, peripheral interface
- Support for Industry 4.0 connectivity (OPC-UA optional)
- Delem Profile S-3D offline software
- DXF import support, IGES 3D File import
  
- METALMASTER CNC Press brake
- 5 CNC Controlled Axis (Y1, Y2, X, R, V) + 2 Motorised back gauge fingers (Z1, Z2) as standard.
- Y1 & Y2 Axis is controlled by advanced safety monitored hydraulic proportional valves ensuring accuracy in movement.
- Servo hydraulic system consumes 30–70% less energy compared to conventional fixed-speed hydraulic setups.
- Bending compensation & accuracy is maintained using FAGOR (Spain) Linear scales mounted on either end of the machine bed to measure any frame deflection
- CNC controlled auto crowning table (V) adjusts accordingly based on material, length & thickness specified in program.
- X & R Axis are Servo driven providing fast response & accuracy when positioning the backgauge.
- X axis travel 750mm - Speed = 200 mm/s
- R axis travel 250mm - Speed = 100 mm/s
- Z1 & Z2 Back gauge fingers are motorised and easily moved by joystick control to reposition between bending processes.
- Flip up type back gauge fingers mounted on linear rails complete with micro adjusters are provided as standard
- Advanced quick release tooling top clamps allow for the top tooling to be removed from the front of the clamp rather than sliding all of the tooling left & or right, this saves time and ensures you are not shifting all your tooling just to change 1 piece.
- Premium front sheet supports, fully adjustable in the vertical direction & mounted on linear rails for ease of use.

### Includes

- DELEM DA69S CNC Touch screen controller
- 5 Axis CNC Control + motorised Z1 & Z2 Back gauge fingers
- Servo Motor Hydraulics for energy saving
- Quick release top tool clamping system with advanced front load tooling system
- 86 Degree Top Punch with Segments & Horns (4 x 800mm, 1 x Segmented 800mm comprising of Left Horn 100, 10, 15, 20, 40, 50, 165, 300, Right Horn 100)
- Bottom Die 4 Way x 86 Degree V'S 16, 22, 35, 50mm
- DSP Safety laser guard system
- MCS safety control for safety compliance & peace of mind

**METALMASTER CNC Press brake DELEM DA69S - 5+2 Axis**

**Specifications**

<b>ORDER CODE</b>	S9757
<b>MODEL</b>	SPB-40220
<b>Control Unit (Type)</b>	DELEM DA69S
<b>Nominal Pressure - Tonnage (Ton)</b>	220
<b>Nominal Pressure - Kilonewtons (kN)</b>	2200
<b>Length of Work Table (mm)</b>	4000
<b>Distance Between Columns (mm)</b>	3355
<b>Throat Depth (mm)</b>	410
<b>Maximum Open Height (mm)</b>	445
<b>Ram Stroke (mm)</b>	200
<b>Machine Axis (No.)</b>	5
<b>Safety Guarding System (Type)</b>	Laser System
<b>X Axis Backgauge Travel (mm)</b>	750
<b>R Axis Backgauge Travel (mm)</b>	250
<b>Z1 &amp; Z2 Axis Back gauge fingers</b>	2 Motorised + 2 Manual
<b>Table Bed Crowning System (Type)</b>	CNC Controlled System
<b>Motor Power (kW / hp)</b>	13.2 - SERVO MOTOR
<b>Motor Voltage (V)</b>	415
<b>Floor Space (mm)</b>	5050 x 2150
<b>Nett Weight (kg)</b>	10500