

**METALMASTER MBR-LST**



**Louvre Bead Roller Set**

**6.5mm High x 14mm Width**



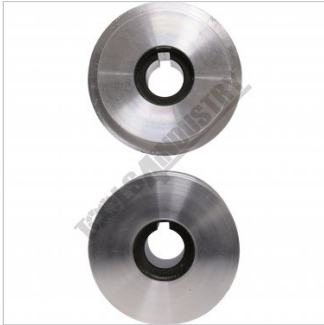
**METALMASTER Louvre Bead Roller Set MBR-LST**



Set



Side View



Top View



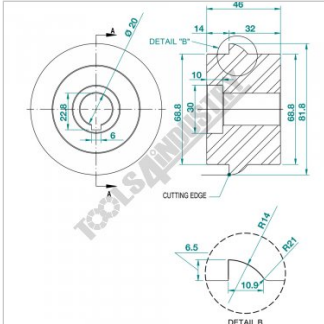
Rear View



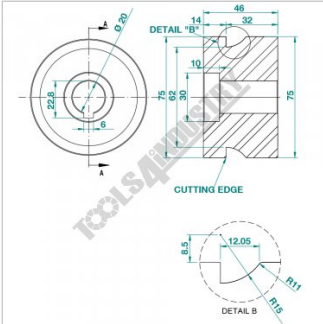
Shown on Machine



Shown on Machine Side View



Dimensions 1



Dimensions 2

**Description**

Roller set made from CR12 steel & Hardened up to 45 HRC

**Includes**

- 1 x 6.5mm High x 14mm Wide Louvre Roller Set

**Specifications**

<b>ORDER CODE</b>	S6333
<b>MODEL</b>	MBR-LST
<b>Part Number</b>	~
<b>Type</b>	Louvre Bead Roller Set
<b>Size (inch / mm)</b>	6.5mm High x 14mm Width
<b>Roller Diameter (mm)</b>	Ø75
<b>Bore Diameter (mm)</b>	Ø20 with Keyway
<b>Spigot Diameter (mm)</b>	~
<b>Shaft Diameter</b>	~
<b>Capacity (Mild Steel) (mm / Gauge)</b>	1.2 / 18
<b>Material (Type)</b>	Steel
<b>Suits</b>	MBR-610 & MBR-1070 Bead Rollers