

**METALMASTER MBR-4ST**

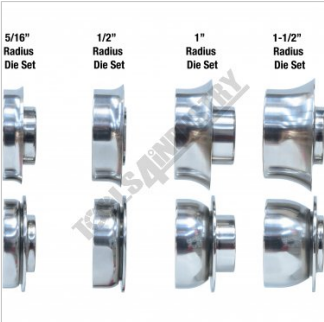


**Radius Bead Roller Sets**

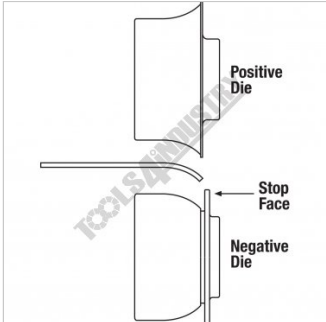
**4 x Radius Bead Roller Sets**



**METALMASTER Radius Bead Roller Sets MBR-4ST**



Set Includes



Die Drawing



Set Side 2



High View



Top View



Bottom View



5 16 inch Radius Die Set



5 16 inch Radius Die Set Side View



5 16 inch Radius Die Set Shown on Machine



5 16 inch Radius Die Set Shown on Machine Side View



1 2 Inch Radius Die Set



1 2 Inch Radius Die Set Side View



1 2 Inch Radius Die Set Shown on Machine



1 2 Inch Radius Die Set Shown on Machine Side View



1 Inch Radius Die Set



1 Inch Radius Die Set Side View

**METALMASTER Radius Bead Roller Sets MBR-4ST**



1 Inch Radius Die Set Shown on Machine



1 Inch Radius Die Set Shown on Machine Side View



1 1/2 Inch Radius Die Set



1 1/2 Inch Radius Die Set Side View



1 1/2 Inch Radius Die Set Shown on Machine



1 1/2 Inch Radius Die Set Shown on Machine Side View

**Description**

4 x roller sets made from CR12 steel & Hardened up to 45 HRC

**Includes**

- 1 x 5/16" Radius Roller Set
- 1 x 1/2" Radius Roller Set
- 1 x 1" Radius Roller Set
- 1 x 1-1/2" Radius Roller Set

**Specifications**

<b>ORDER CODE</b>	S6332
<b>MODEL</b>	MBR-4ST
<b>Part Number</b>	~
<b>Type</b>	4 x Radius Bead Roller Sets
<b>Size (inch / mm)</b>	~
<b>Roller Diameter (mm)</b>	Ø75
<b>Bore Diameter (mm)</b>	Ø20 with Keyway
<b>Spigot Diameter (mm)</b>	~
<b>Shaft Diameter</b>	~
<b>Capacity (Mild Steel) (mm / Gauge)</b>	1.2 / 18
<b>Material (Type)</b>	Steel
<b>Suits</b>	MBR-610 & MBR-1070 Bead Rollers

**METALMASTER Radius Bead Roller Sets MBR-4ST**