

VERTEX HV-10



Vertex Rotary Table

Ø254mm



VERTEX Vertex Rotary Table HV-10

Vertical View

Description

Manufactured in Taiwan

The Vertex Rotary Table has been designed to be used where a precision work positioning device is required. It allows the operator to mill or drill components at exact intervals around a fixed axis.

Additional indexing plates can be fitted to allow the Vertex Rotary Table to be used as a Dividing Head.

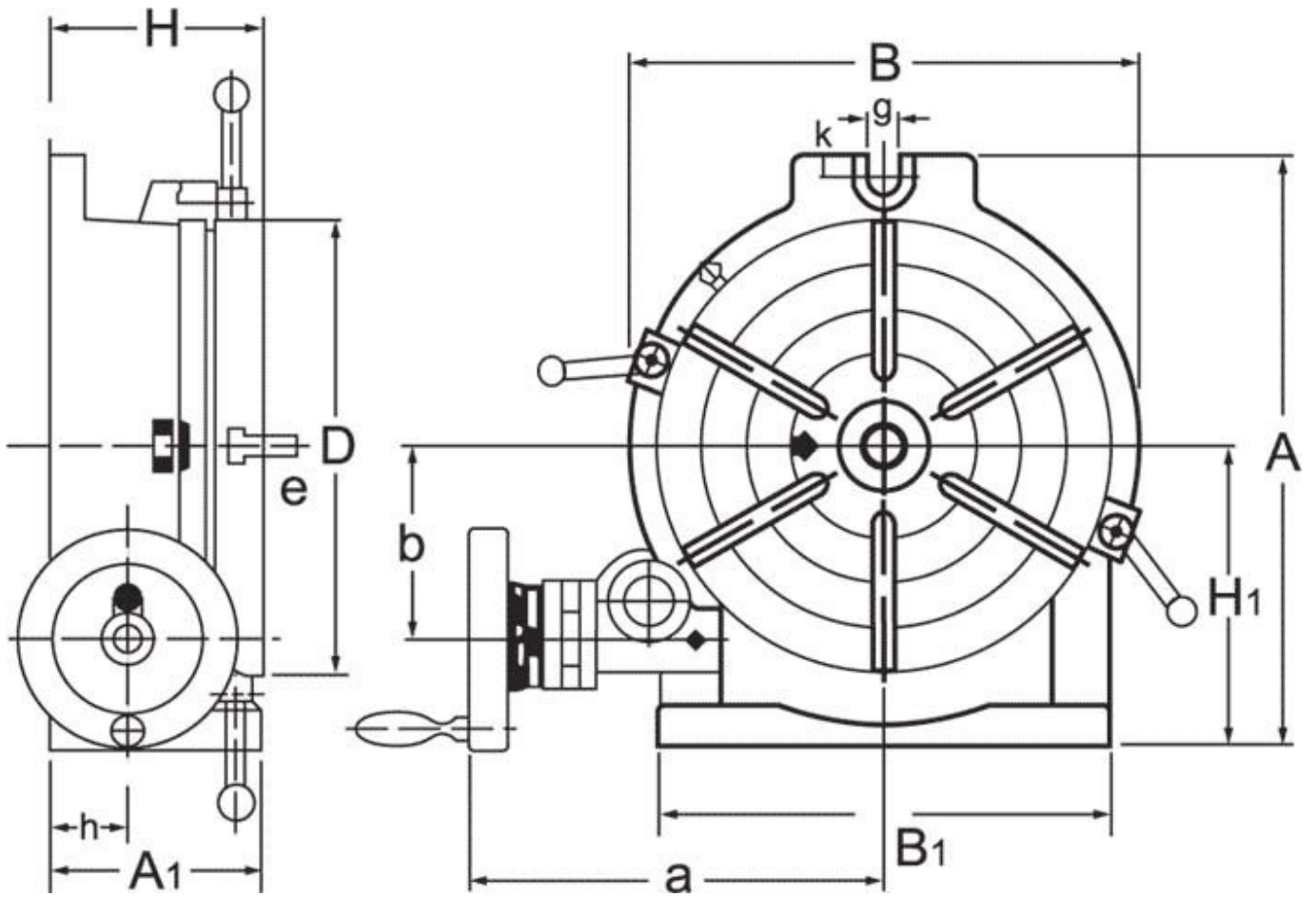
The Vertex Rotary Table can be used in both the horizontal or vertical plane.

Features

- The Vertex Rotary Table is manufactured from high-density Meehanite cast iron with ground surface areas on the table and body to ensure smooth rotation
- Critical wear parts are hand finished for ultra precision
- All tables are tested for accuracy using 'Heidenhain' electronic equipment to ensure continuing quality
- Worm is hardened and precision ground, with a ratio of 90:1
- Table is graduated to a full 360° so one turn of the handle moves the table 4°
- The collar on the handle is graduated with a vernier scale, readings down to 10 seconds are possible

Specifications

VERTEX Vertex Rotary Table HV-10



VERTEX Vertex Rotary Table HV-10

ORDER CODE

VERTEX Vertex Rotary Table HV-10

R010

| | |
|--------------------------------|-------|
| MODEL | HV-10 |
| Size (mm) | 254 |
| A1 (mm) | 110 |
| D (mm) | 250 |
| H (mm) | 115 |
| H1 (mm) | 165 |
| A (mm) | 325 |
| B (mm) | 280 |
| e (mm) | 14 |
| g (mm) | 17 |
| Number of T-Slots (No.) | 6 |
| T-Slot Size (mm) | 14 |
| Taper In Centre (MT) | 3MT |
| Nett Weight (kg) | 40 |