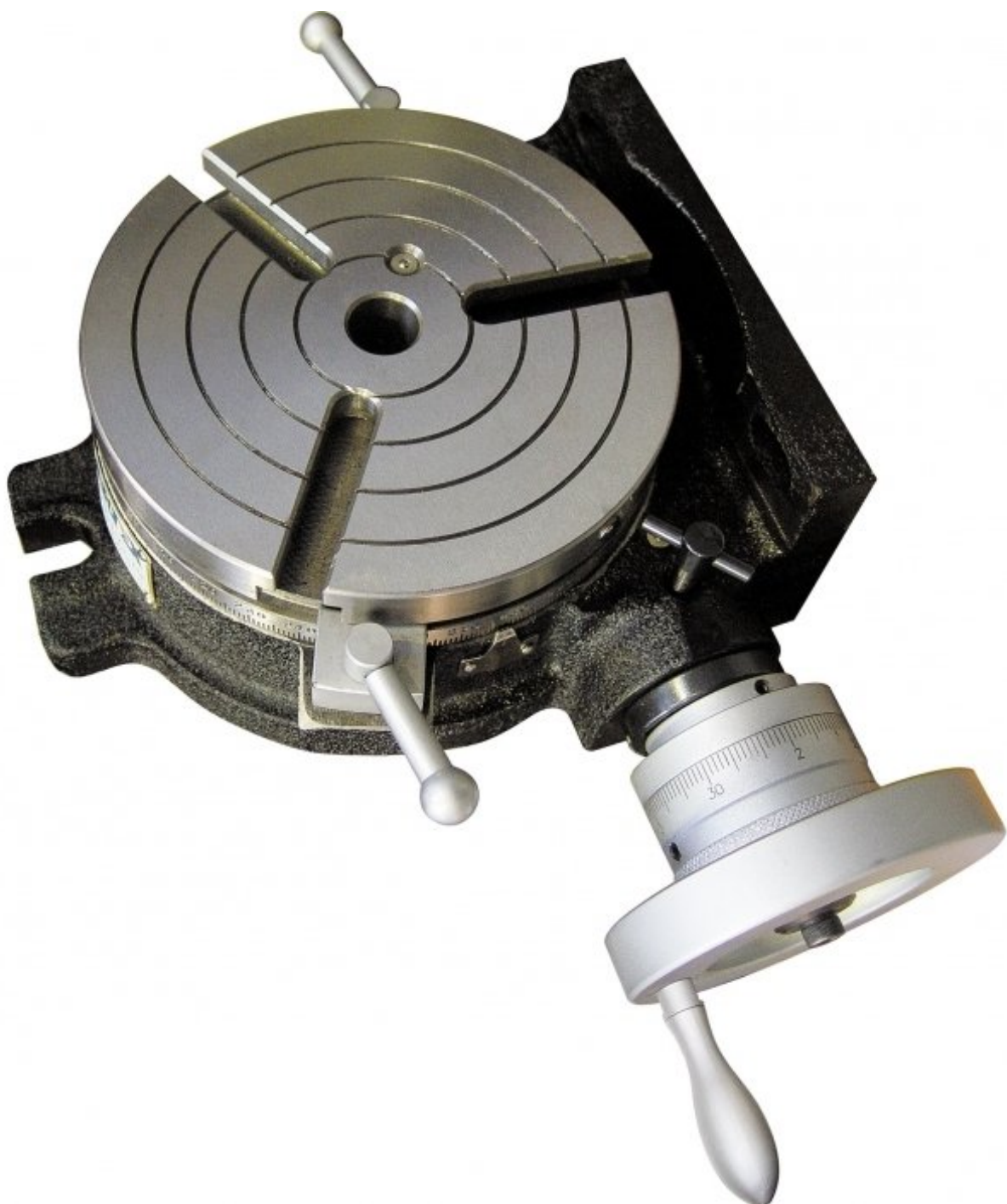


**VERTEX HV-6**



**Vertex Rotary Table**

**Ø152mm**



## VERTEX Vertex Rotary Table HV-6



Vertical View

### Description

Manufactured in Taiwan

The Vertex Rotary Table has been designed to be used where a precision work positioning device is required. It allows the operator to mill or drill components at exact intervals around a fixed axis.

Additional indexing plates can be fitted to allow the Vertex Rotary Table to be used as a Dividing Head.

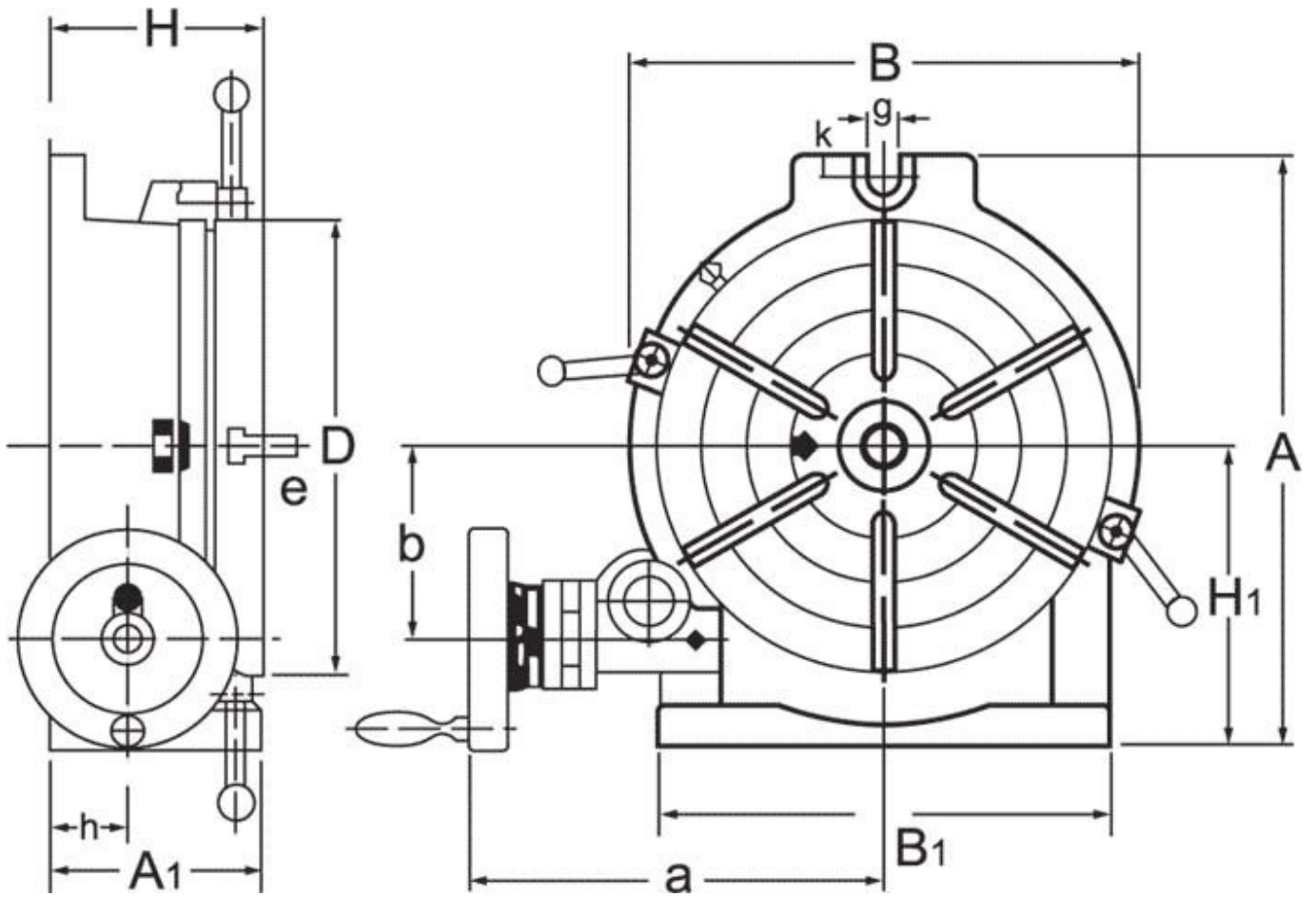
The Vertex Rotary Table can be used in both the horizontal or vertical plane.

### Features

- The Vertex Rotary Table is manufactured from high-density Meehanite cast iron with ground surface areas on the table and body to ensure smooth rotation
- Critical wear parts are hand finished for ultra precision
- All tables are tested for accuracy using 'Heidenhain' electronic equipment to ensure continuing quality
- Worm is hardened and precision ground, with a ratio of 90:1
- Table is graduated to a full 360° so one turn of the handle moves the table 4°
- The collar on the handle is graduated with a vernier scale, readings down to 10 seconds are possible

### Specifications

**VERTEX Vertex Rotary Table HV-6**



**VERTEX Vertex Rotary Table HV-6**

**ORDER CODE**

**VERTEX Vertex Rotary Table HV-6**

R006

<b>MODEL</b>	HV-6
<b>Size (mm)</b>	152
<b>A1 (mm)</b>	78
<b>D (mm)</b>	150
<b>H (mm)</b>	80
<b>H1 (mm)</b>	100
<b>A (mm)</b>	200
<b>B (mm)</b>	160
<b>e (mm)</b>	11
<b>g (mm)</b>	15
<b>Number of T-Slots (No.)</b>	3
<b>T-Slot Size (mm)</b>	11
<b>Taper In Centre (MT)</b>	2MT
<b>Nett Weight (kg)</b>	14