

**VERTEX CS-6**



**Vertex Super Indexing Head**

**130mm Centre Height**



## VERTEX Vertex Super Indexing Head CS-6

### Description

Manufactured in Taiwan

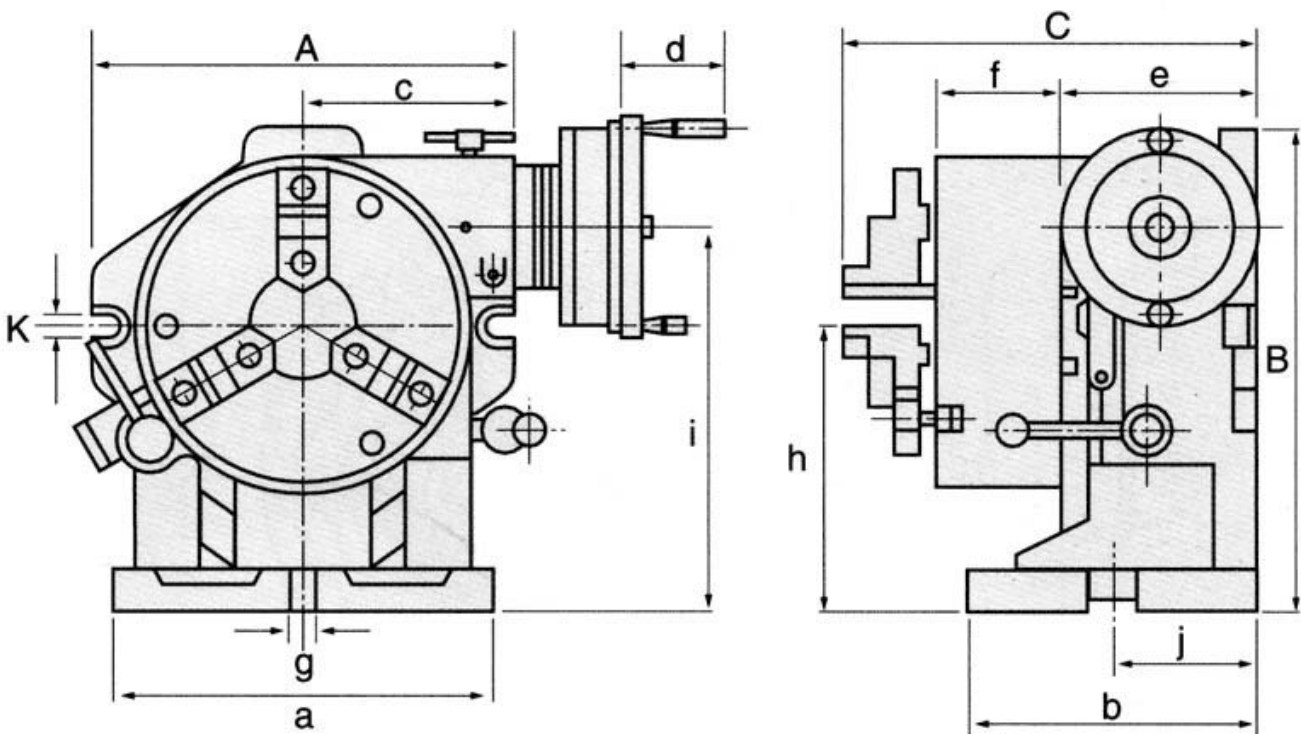
### Features

- The Vertex Super Spacer is designed to be used on milling, drilling or any machine where an indexing facility is required
- Combines the advantages of super indexing with the flexibility of worm gear movement
- The 3-jaw chucks on both the 6" and 8" models have large through-bores
- Can be used in either vertical or horizontal plane
- Master indexing plate has 24 divisions and is permanently fixed inside the indexer. Divisions of 2, 3, 4, 6, 8 & 12 can also be achieved by using sub plates. These can be installed quickly in the bottom of the indexer
- When the chuck is removed, the unit can be used as a horizontal or vertical rotary table
- The worm gear has a ratio of 90:1. It can be dis-engaged for quick indexing work
- Worm is hardened and precision ground to minimise wear
- The operating collar is graduated in one minute increments and readings down to ten seconds can be set on the vernier scale
- The unit can be fitted with dividing plates

### Includes

- 3-Jaw Self-Centring Chuck
- Face Plate
- 6 indexing plates

### Specifications



**VERTEX Vertex Super Indexing Head CS-6**

**ORDER CODE**

**VERTEX Vertex Super Indexing Head CS-6**

R002

<b>MODEL</b>	CS-6
<b>3 Jaw Chuck Size (mm)</b>	Ø152
<b>Bore (mm)</b>	Ø40
<b>A (mm)</b>	250
<b>B (mm)</b>	235
<b>C (mm)</b>	221
<b>a (mm)</b>	220
<b>b (mm)</b>	150
<b>c (mm)</b>	184
<b>d (mm)</b>	82
<b>e (mm)</b>	112
<b>f (mm)</b>	66
<b>g (mm)</b>	16
<b>h (mm)</b>	130
<b>i (mm)</b>	186
<b>j (mm)</b>	80
<b>K (mm)</b>	18
<b>Nett Weight (kg)</b>	48