

MEASUMAX 38-675

Micrometer Stand

0-100mm



MeasumaX



MEASUMAX Micrometer Stand 38-675



Front Angle View



Rear View



Front View



Rubber Foot Pads



Shown with Optional
Micrometer in Clamped Position



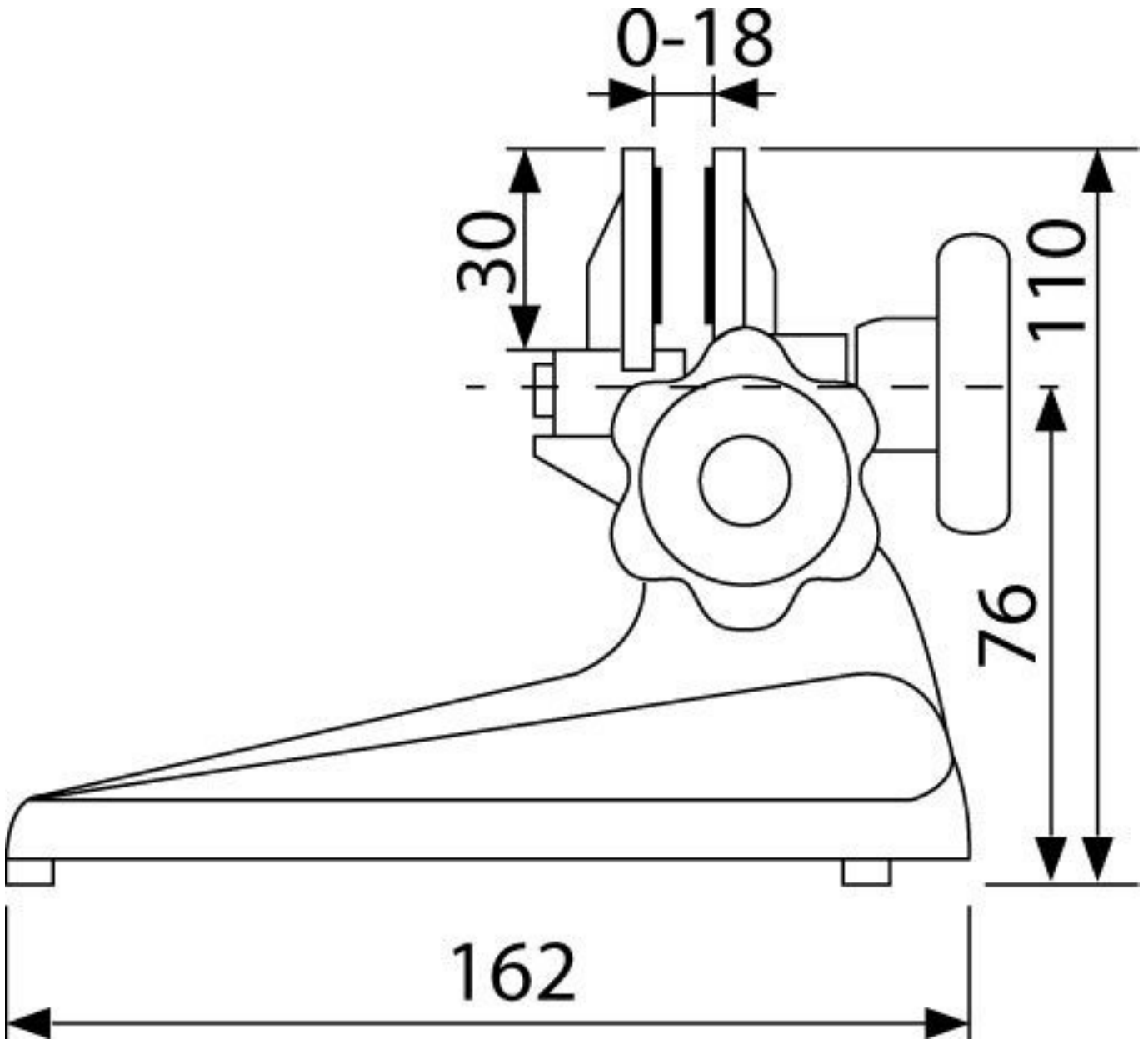
Shown with Optional
Micrometer in Clamp Position

Features

- Micrometer stand to suit micrometers up to 100mm
- Cast iron construction for rigidity
- Clamps are made of die-casting aluminium
- Rubber pads on clamps to protect instruments
- Rubber foot pads to reduce slipping
- Ideal when checking multiple items and setting the micrometer

Specifications

MEASUMAX Micrometer Stand 38-675



MEASUMAX Micrometer Stand 38-675

ORDER CODE

MEASUMAX Micrometer Stand 38-675

Q675

Type	Micrometer Stand
Range (mm)	100
Nett Weight (kg)	1.2