

MEASUMAX 33-244

Inside Caliper Gauge

10-30mm/0.4-1.2"



MeasumaX



MEASUMAX Inside Caliper Gauge 33-244

Insert

Description

Electronic inside caliper gauges are suited to measuring bores, internal grooves and other hard to reach internal dimensions

Features

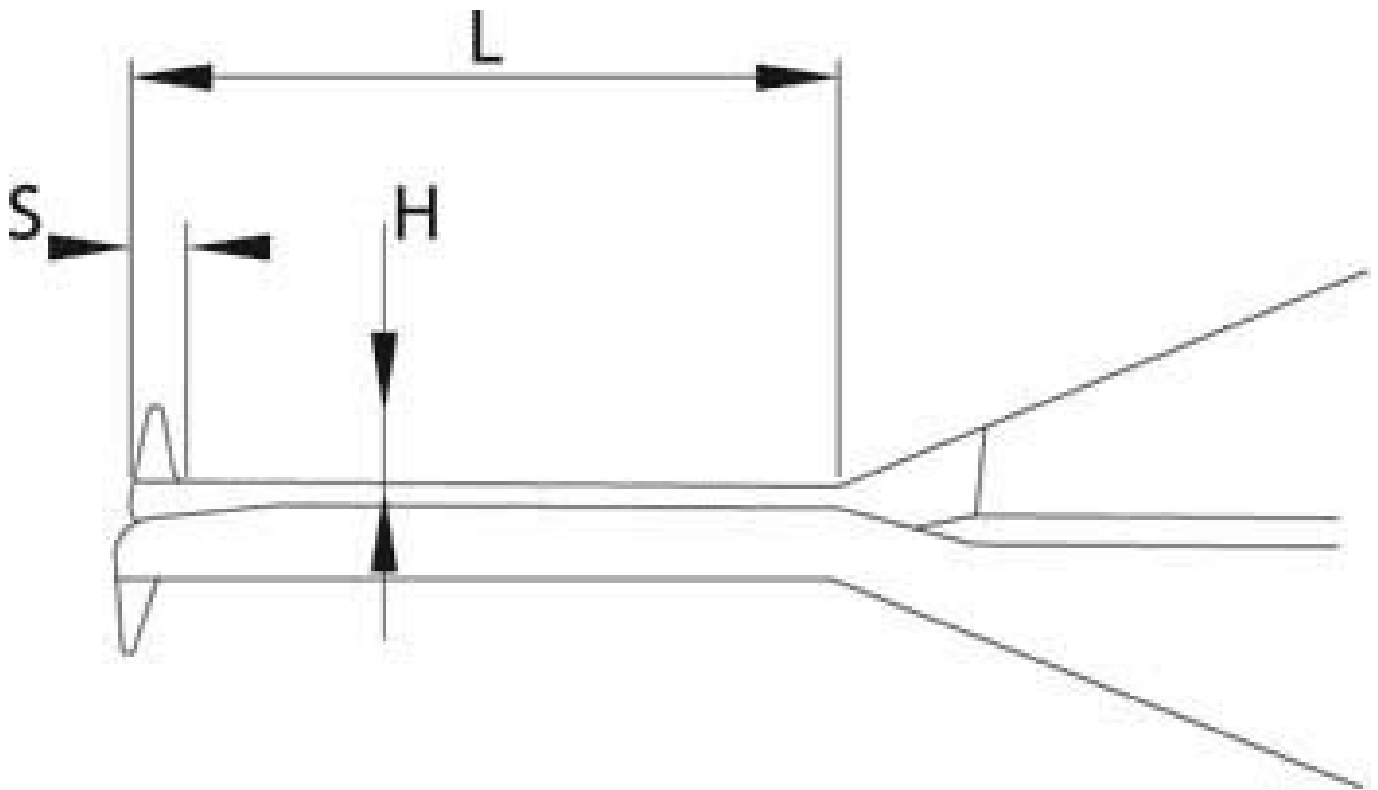
- Digital and analogue display on LCD
- Function include Power, Absolute & Incremental
- Metric/Imperial conversion
- Remembers the data of Max. and Min or hold data
- Direct RS232 Output (Uses cable 40-401)
- Auto power off
- Accuracy 0.03mm
- Tolerance set

Includes

- Includes CR2032 battery

Specifications

MEASUMAX Inside Caliper Gauge 33-244



ORDER CODE	Q244
Range	10 - 30mm / 0.4 - 1.2"
Graduations	0.01mm / 0.0005"
L (mm)	55

MEASUMAX Inside Caliper Gauge 33-244

S (mm)	2
H (mm)	3.5