

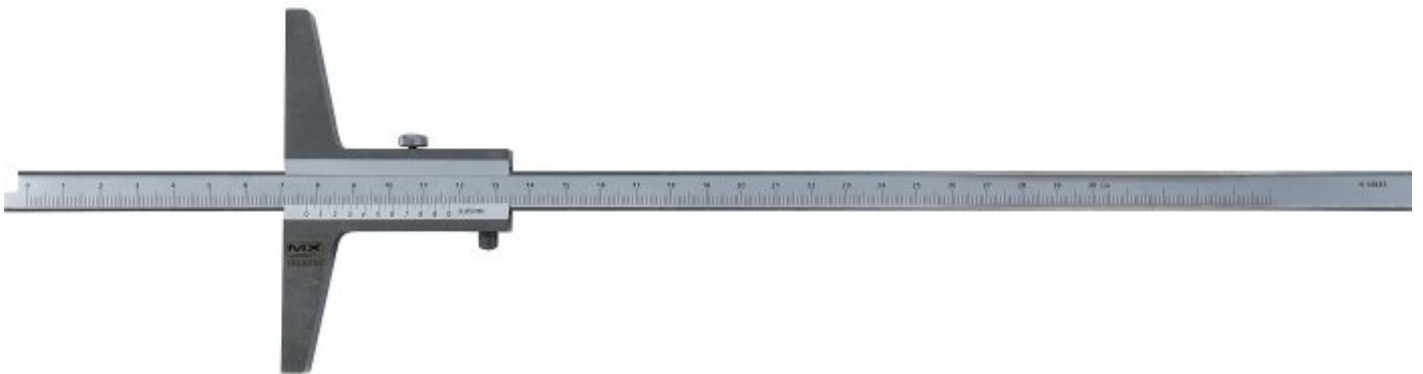
MEASUMAX 33-2365



Measumax

Vernier Depth Gauge

300mm



MEASUMAX Vernier Depth Gauge 33-2365



Head

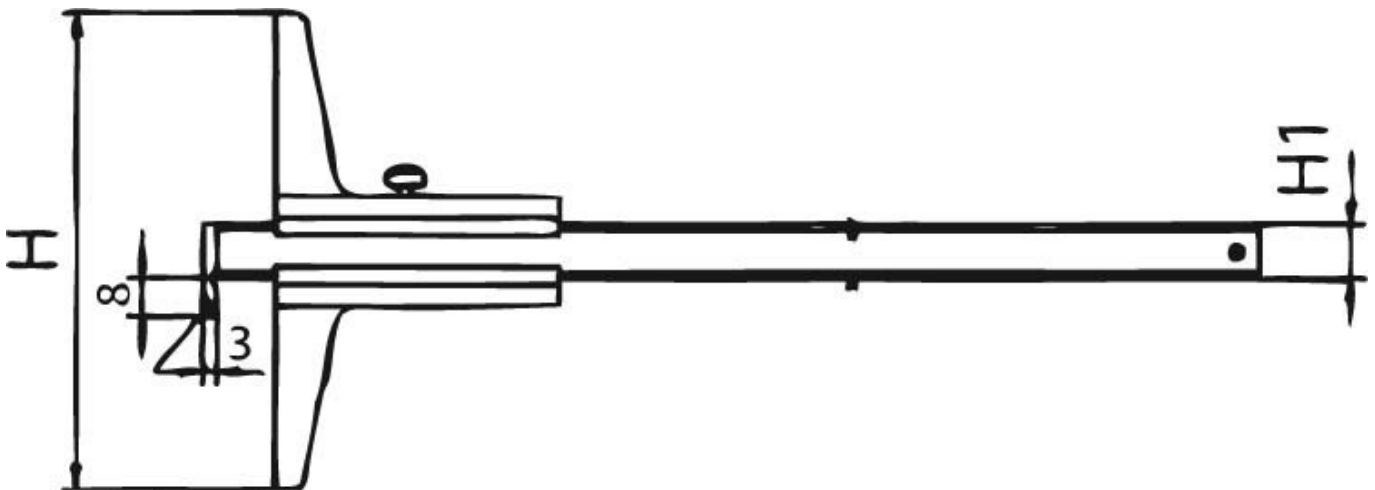
Description

The Measumax Vernier Depth Gauge is suitable for depth measurement
Instrument are manufactured to ISO 10012:2003

Features

- Mono block stainless steel construction
- With screw at the back of the far end of the caliper bar
- Internal & external depth measurement
- Clear laser engraved graduations
- Supplied in plastic case

Specifications



ORDER CODE	Q2365
Range (mm)	300
Accuracy (mm)	±0.06
Graduations (mm)	0.05
H (mm)	102
H1 (mm)	11.5

MEASUMAX Vernier Depth Gauge 33-2365