

**MEASUMAX 34-225**

**Dial Depth Gauge**

**0-100mm**



**Measumax**

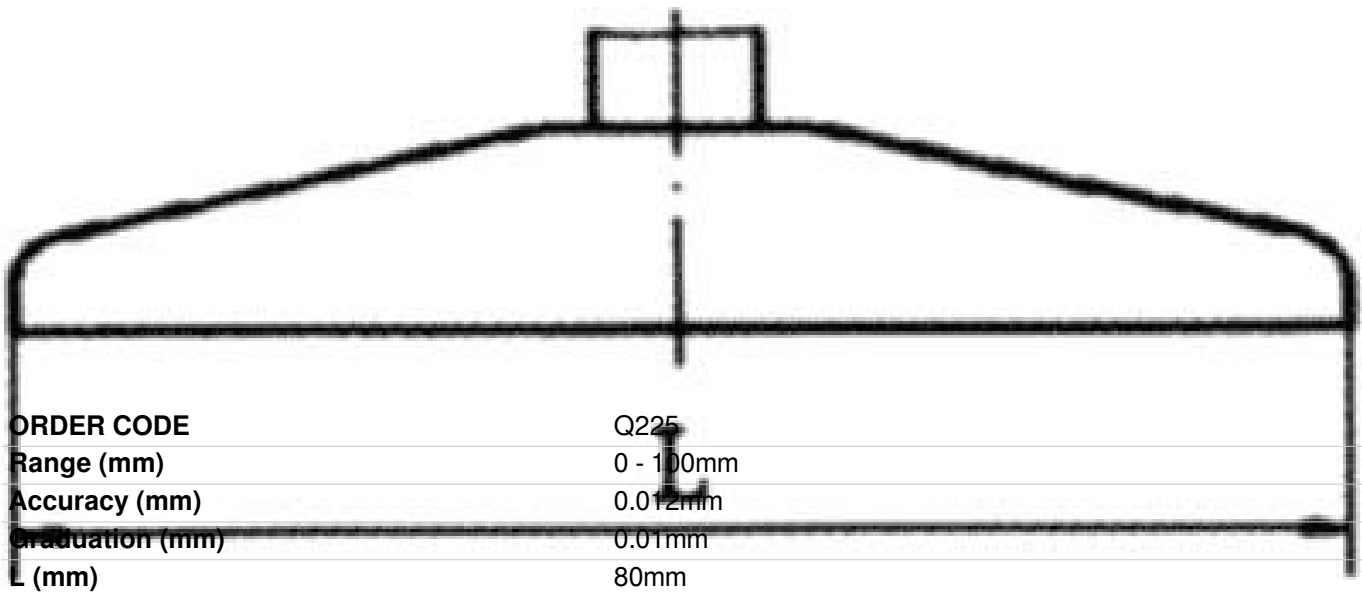


**MEASUMAX Dial Depth Gauge 34-225****Description**

Used where quick depth measurement is required.

**Features**

- Equipped with a shock-proof dial indicator
- Interchangeable rods (spherical head) for measuring 0 - 100mm

**Specifications**

<b>ORDER CODE</b>	Q225
<b>Range (mm)</b>	0 - 100mm
<b>Accuracy (mm)</b>	0.012mm
<b>Graduation (mm)</b>	0.01mm
<b>L (mm)</b>	80mm