

MEASUMAX 34-2205

Digital Indicator

12.5mm / 0.5"



Measumax



MEASUMAX Digital Indicator 34-2205**Features**

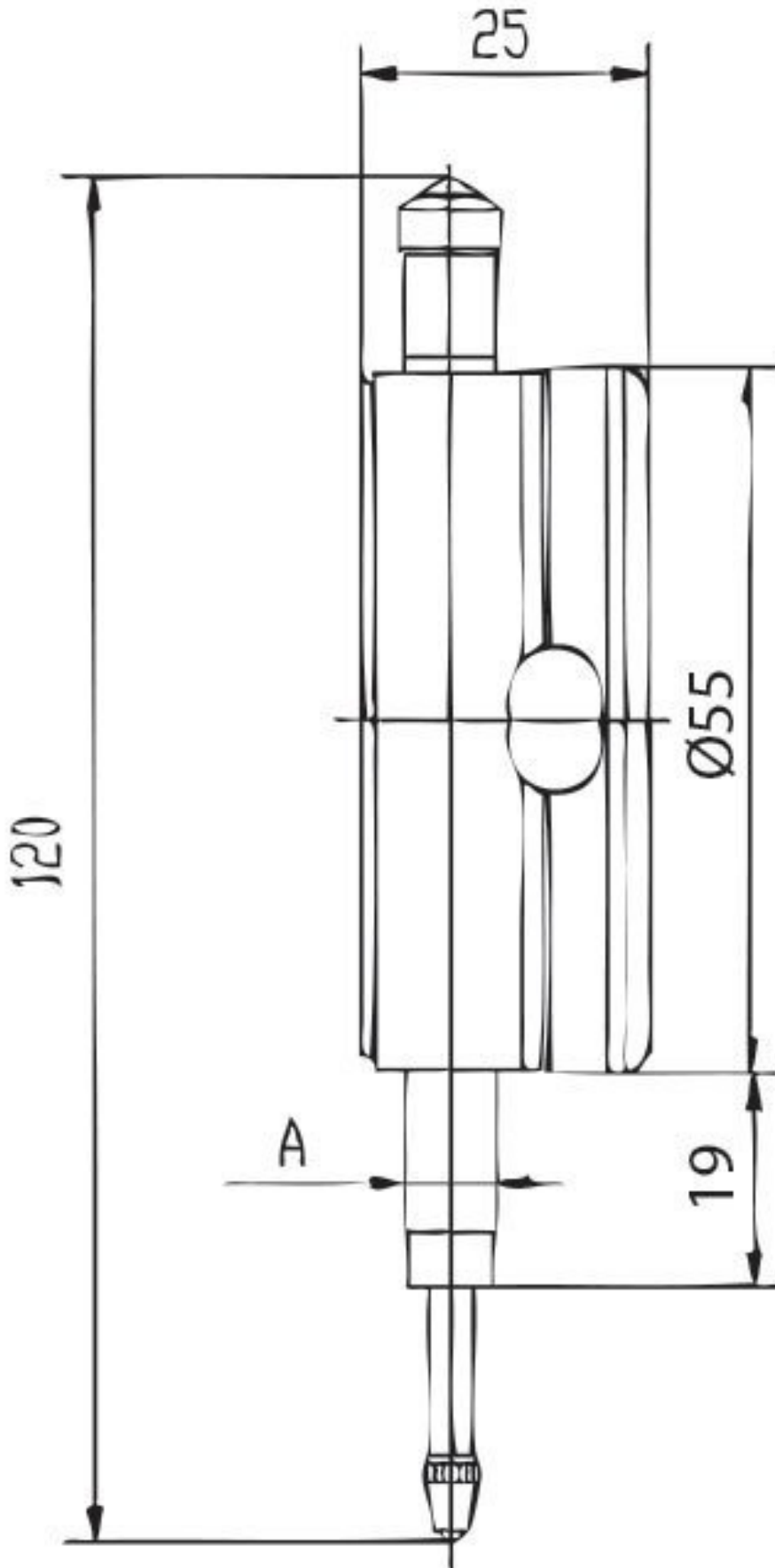
- Manual power On/Off
- Zero setting at any position
- Metric/Imperial system conversion at any position
- With data output interface (cable 40-4061)
- Max speed 1.5m/sec
- Supplied with Lugged Back

Includes

- Includes CR2032 battery

Specifications

MEASUMAX Digital Indicator 34-2205



MEASUMAX Digital Indicator 34-2205

ORDER CODE

MEASUMAX Digital Indicator 34-2205

Q2205

Range (mm / inch)	12.5mm / 0.5"
Resolution	0.01mm / 0.0005"
Accuracy	0.02
Diameter	55
A	8