

MEASUMAX 34-218

Dial Test Indicator - Metric

Gradient of 12 degrees On Dial Face



Measumax



MEASUMAX Dial Test Indicator - Metric 34-218



Rear Mounting



Top Mounting

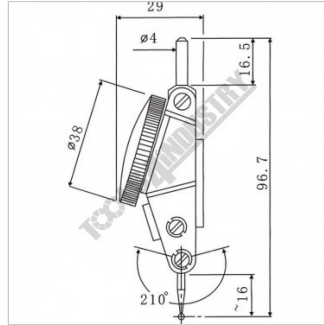


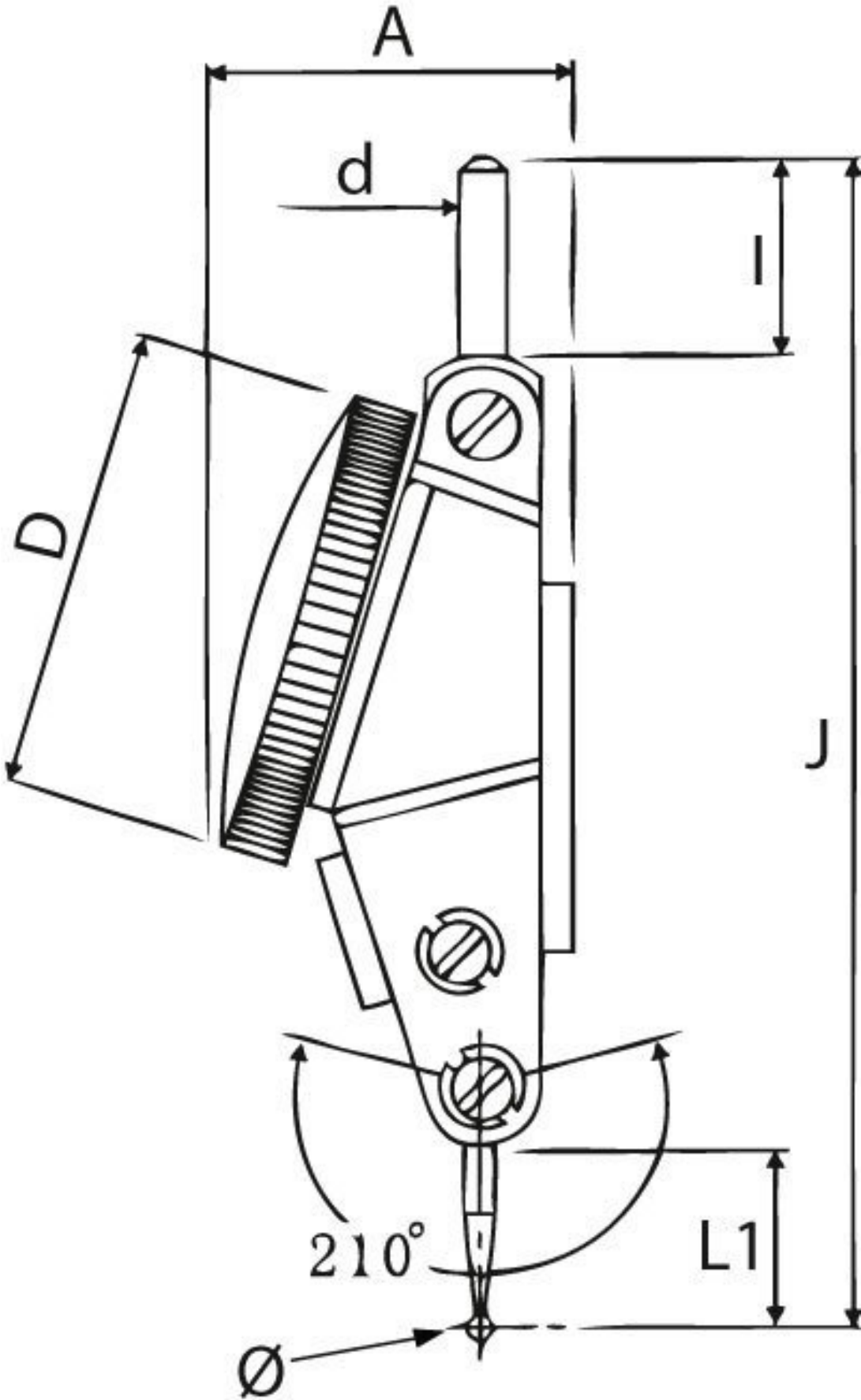
Diagram Dimensions

Features

- Large measuring range - 1.6mm - +1.6mm
- Measurement in both directions - steel ball end
- Gradient of 12 degrees on dial face
- Mono enclosure for air tight seal

Specifications

MEASUMAX Dial Test Indicator - Metric 34-218



MEASUMAX Dial Test Indicator - Metric 34-218

ORDER CODE

MEASUMAX Dial Test Indicator - Metric 34-218

Q218

Range	±1.6mm
Graduations	0.01mm
A (mm)	31.2
B (mm)	~
B1 (mm)	~
C (mm)	~
D (mm)	Ø38
d (mm)	4 / 8
E (mm)	~
F (mm)	~
G (mm)	~
H (mm)	~
I (mm)	16.5
J	99
K (mm)	~
L (mm)	~
L1 (mm)	19
Ø (mm)	2.5