

**MEASUMAX 34-2171**

**Dial Test Indicator - Imperial**

**Jewel Movement - Measuring In Both Directions**



**Measumax**



**MEASUMAX Dial Test Indicator - Imperial 34-2171**

Rear Mounting



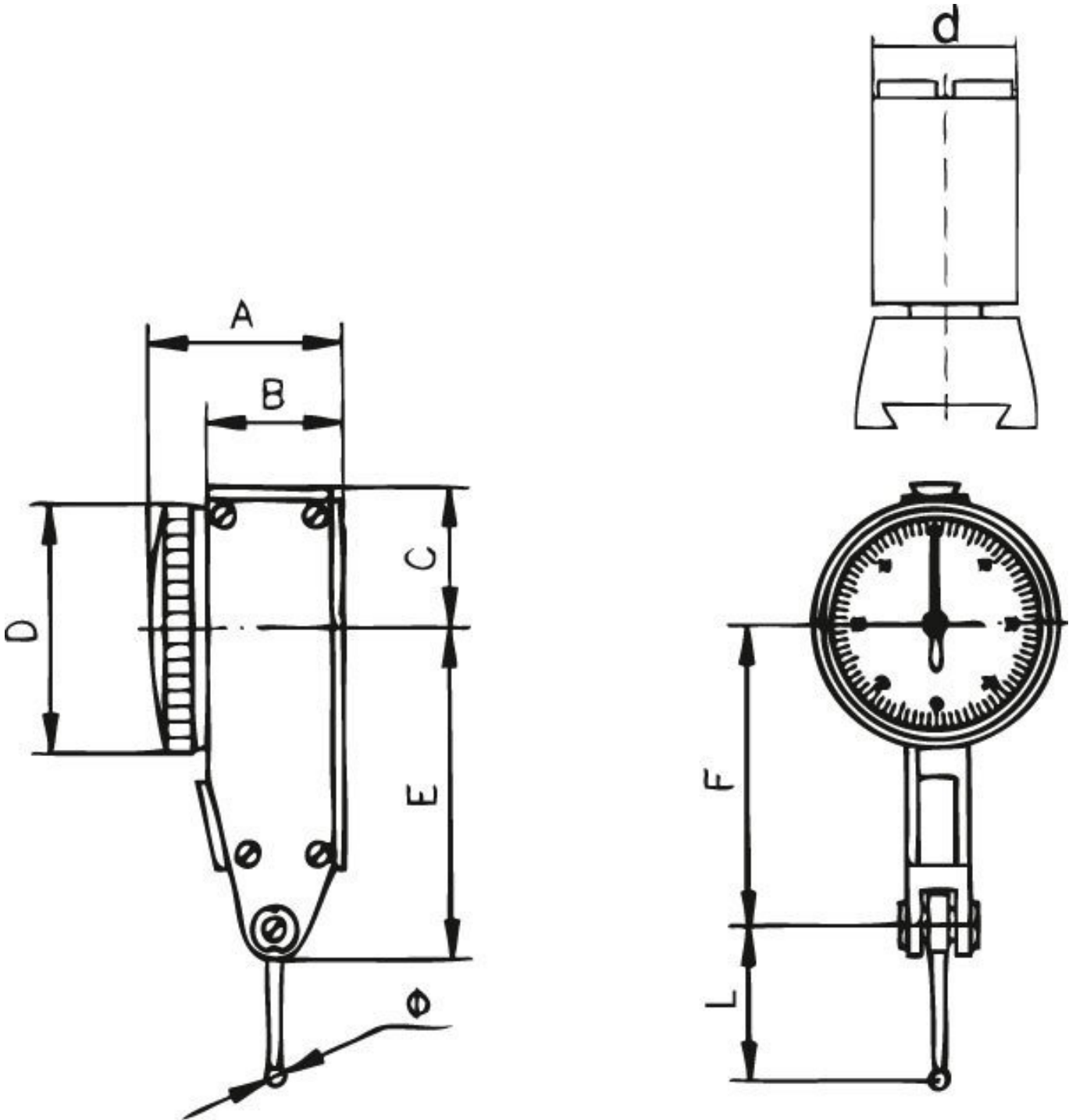
Front Mounting

**Features**

- The dial test indicator is ideally suited for all kinds of comparative measurements in the workshop and inspection room
- It also can be used together with machine tools, apparatus and other measuring devices - Steel ball end
- Jewel movement - measuring in both directions

**Specifications**

**MEASUMAX Dial Test Indicator - Imperial 34-2171**



**MEASUMAX Dial Test Indicator - Imperial 34-2171**

**ORDER CODE**

**MEASUMAX Dial Test Indicator - Imperial 34-2171**

Q2171

<b>Range</b>	0 - 0.03"
<b>Graduations</b>	0.0005"
<b>A (mm)</b>	24.5
<b>B (mm)</b>	17.3
<b>B1 (mm)</b>	~
<b>C (mm)</b>	16.6
<b>D (mm)</b>	Ø31.2
<b>d (mm)</b>	3.95 / 9.5
<b>E (mm)</b>	42.6
<b>F (mm)</b>	38.7
<b>G (mm)</b>	~
<b>H (mm)</b>	~
<b>I (mm)</b>	~
<b>J</b>	~
<b>K (mm)</b>	~
<b>L (mm)</b>	19
<b>L1 (mm)</b>	~
<b>Ø (mm)</b>	2