

**MEASUMAX 34-217**

**Dial Test Indicator - Metric**

**Jewel Movement - Measuring In Both Directions**



**Measumax**



## MEASUMAX Dial Test Indicator - Metric 34-217



Rear Mounting



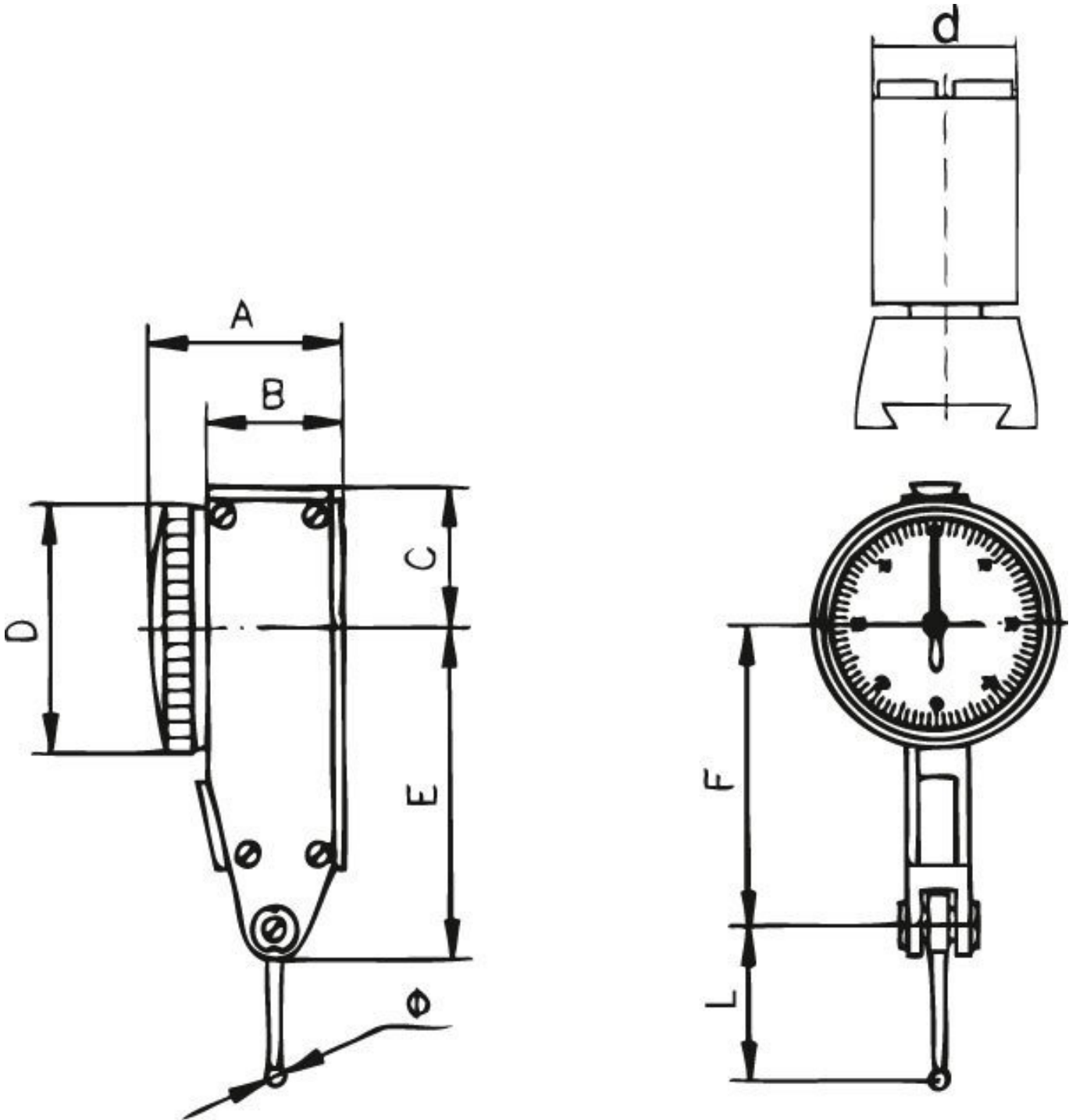
Front Mounting

### Features

- The dial test indicator is ideally suited for all kinds of comparative measurements in the workshop and inspection room
- It also can be used together with machine tools, apparatus and other measuring devices - Steel ball end
- Jewel movement - measuring in both directions

### Specifications

**MEASUMAX Dial Test Indicator - Metric 34-217**



**MEASUMAX Dial Test Indicator - Metric 34-217**

**ORDER CODE**

**MEASUMAX Dial Test Indicator - Metric 34-217**

Q217

<b>Range</b>	0 - 0.8mm
<b>Graduations</b>	0.01mm
<b>A (mm)</b>	26.35
<b>B (mm)</b>	18.35
<b>B1 (mm)</b>	~
<b>C (mm)</b>	16.5
<b>D (mm)</b>	Ø37
<b>d (mm)</b>	6 / 8
<b>E (mm)</b>	44
<b>F (mm)</b>	39.75
<b>G (mm)</b>	~
<b>H (mm)</b>	~
<b>I (mm)</b>	~
<b>J</b>	~
<b>K (mm)</b>	~
<b>L (mm)</b>	16.5
<b>L1 (mm)</b>	~
<b>Ø (mm)</b>	2