

MEASUMAX 34-215

Metric Dial Indicator

0-30mm



Measumax

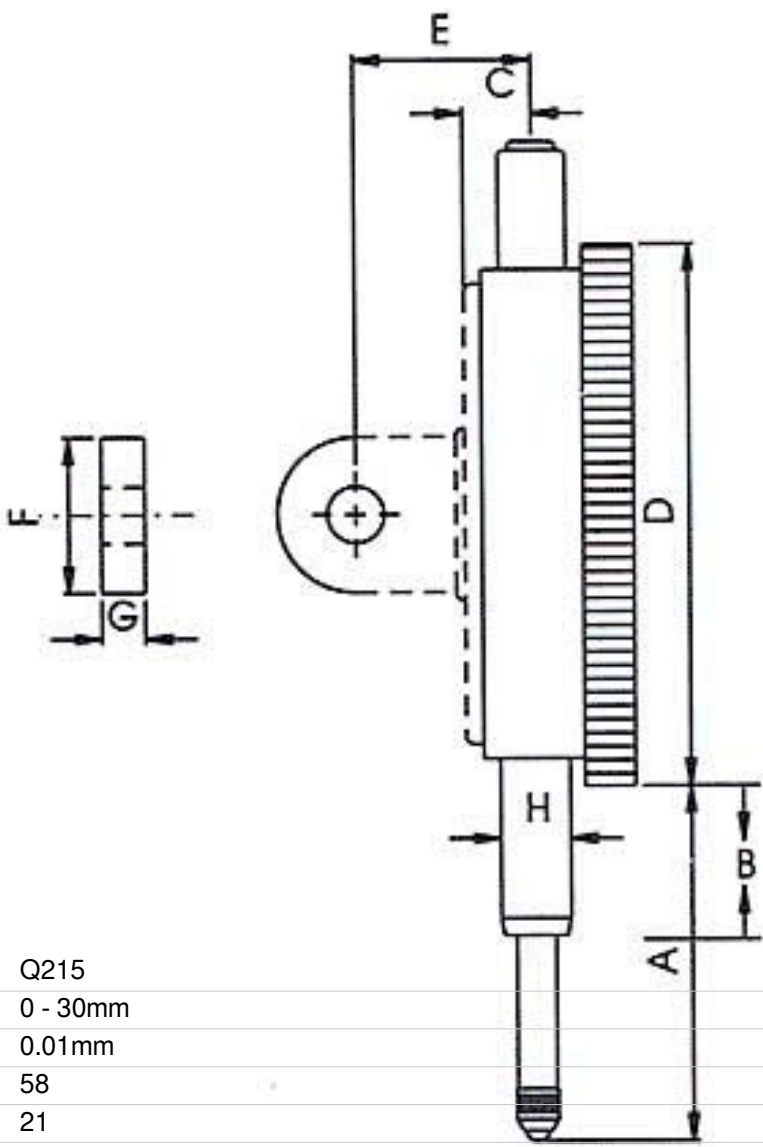
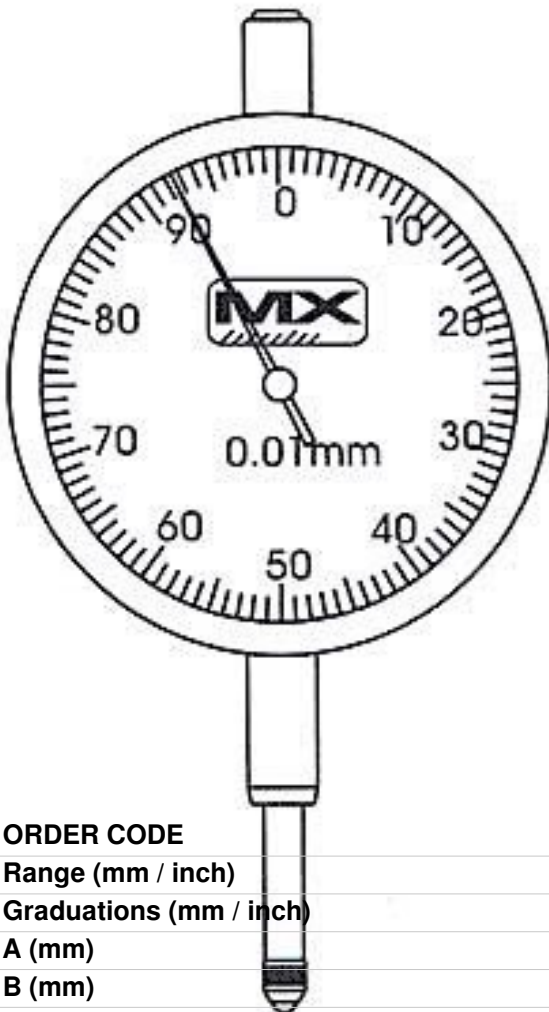


MEASUMAX Metric Dial Indicator 34-215

Features

- In-out tolerance maker
- Smooth movement
- Flat glass
- Flat back and back lug supplied
- Individual serial numbers with corresponding calibration certificate
- Supplied in foam lined plastic case

Specifications



ORDER CODE	Q215
Range (mm / inch)	0 - 30mm
Graduations (mm / inch)	0.01mm
A (mm)	58
B (mm)	21
C (mm)	8
D (mm)	60
E (mm)	20
F (mm)	18
G (mm)	5
H (mm)	8