

**MEASUMAX 34-214**

**Metric Dial Indicator - Precision**

**0-10mm**



**Measumax**

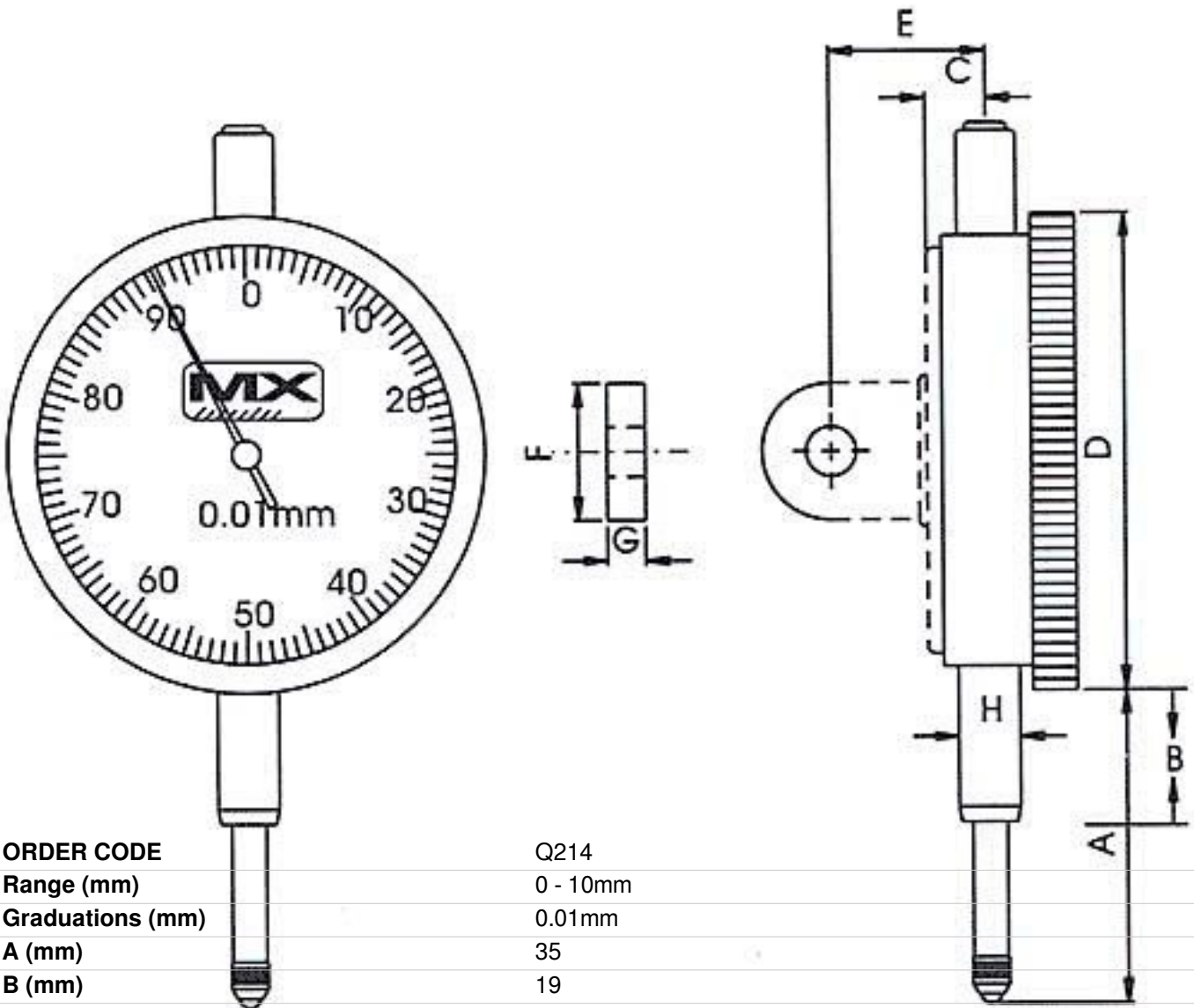


**MEASUMAX Metric Dial Indicator - Precision 34-214**

**Features**

- Smooth 6 jewel movement
- In-out tolerance maker
- Flat glass
- Flat back and back lug supplied
- Jewelled bearing construction, shockproof
- Individual serial numbers with corresponding calibration certificate
- Supplied in foam lined plastic case

**Specifications**



<b>ORDER CODE</b>	Q214
<b>Range (mm)</b>	0 - 10mm
<b>Graduations (mm)</b>	0.01mm
<b>A (mm)</b>	35
<b>B (mm)</b>	19
<b>C (mm)</b>	8
<b>D (mm)</b>	60
<b>E (mm)</b>	19
<b>F (mm)</b>	18
<b>G (mm)</b>	5
<b>H (mm)</b>	8

**MEASUMAX Metric Dial Indicator - Precision 34-214**