

**MEASUMAX 34-213**

**Metric Dial Indicator - Precision**

**0-5mm**



**Measumax**

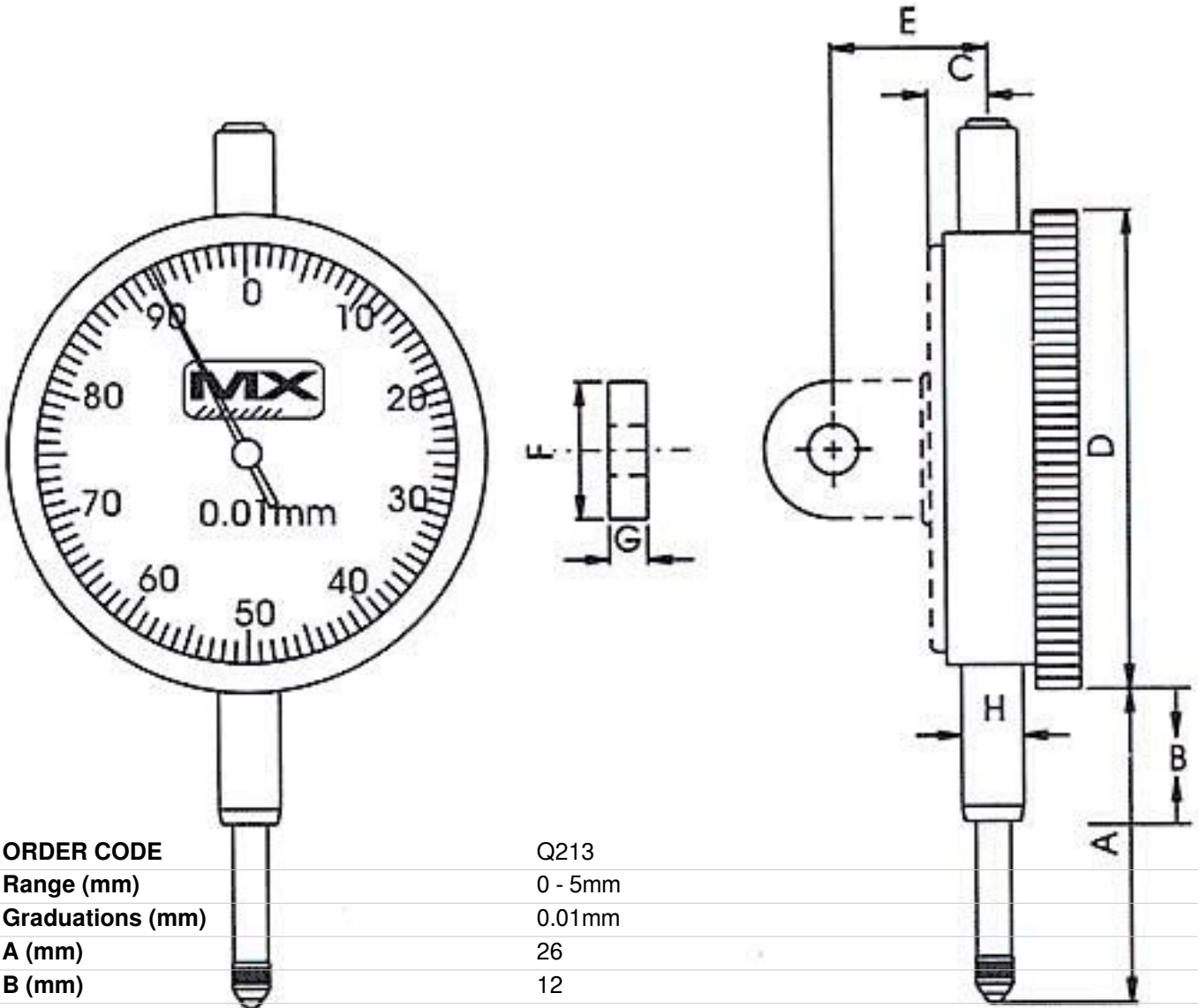


## MEASUMAX Metric Dial Indicator - Precision 34-213

### Features

- Smooth 6 jewel movement
- In-out tolerance maker
- Flat glass
- Flat back and back lug supplied
- Jewelled bearing construction, shockproof
- Individual serial numbers with corresponding calibration certificate
- Supplied in foam lined plastic case

### Specifications



ORDER CODE	Q213
Range (mm)	0 - 5mm
Graduations (mm)	0.01mm
A (mm)	26
B (mm)	12
C (mm)	7.2
D (mm)	40
E (mm)	19
F (mm)	16
G (mm)	5
H (mm)	8

**MEASUMAX Metric Dial Indicator - Precision 34-213**