

MEASUMAX 34-212

Imperial Dial Indicator

0-1"



Measumax

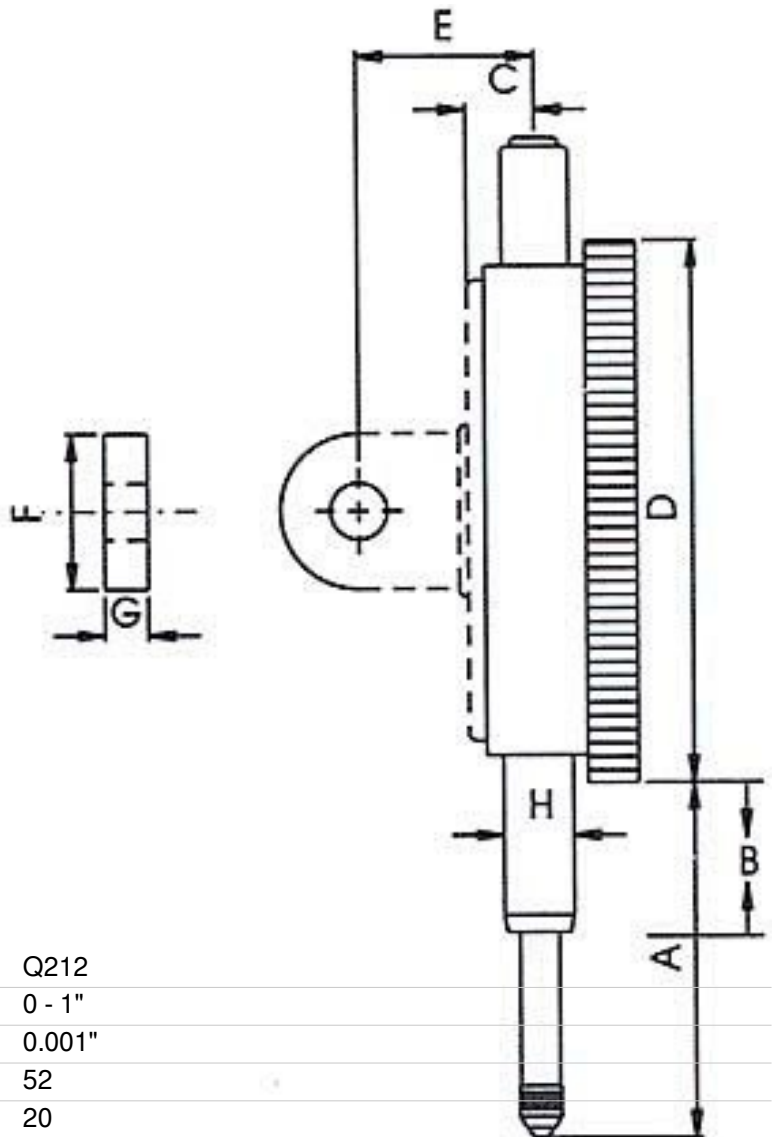
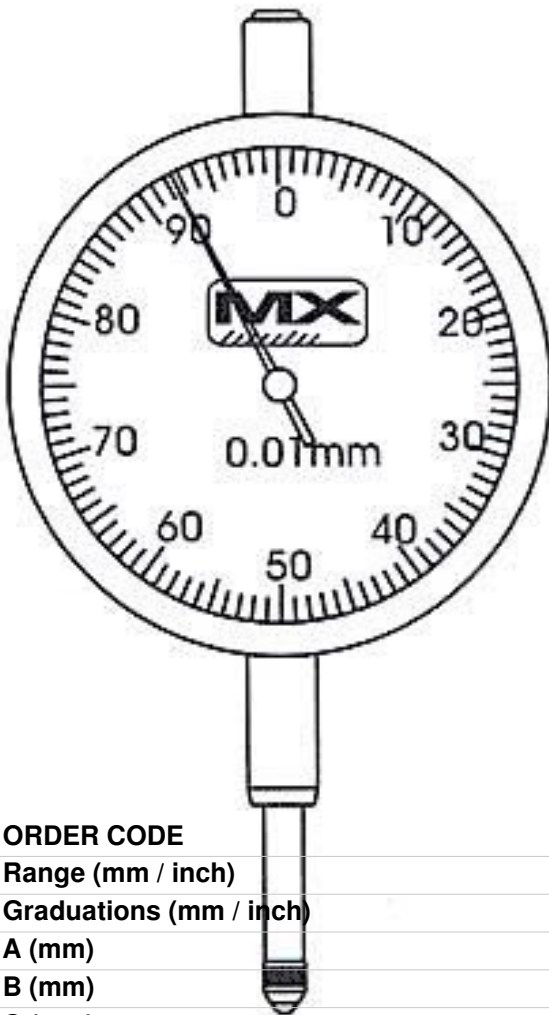


MEASUMAX Imperial Dial Indicator 34-212

Features

- Face Ø58mm - Back plate mounting lug
- Smooth movement
- In-out tolerance marker
- Supplied in foam lined plastic case with calibration certificate

Specifications



ORDER CODE	Q212
Range (mm / inch)	0 - 1"
Graduations (mm / inch)	0.001"
A (mm)	52
B (mm)	20
C (mm)	8
D (mm)	58
E (mm)	19
F (mm)	17
G (mm)	6.35
H (mm)	9.5