

MEASUMAX 34-211

Metric Dial Indicator

0-10mm



Measumax

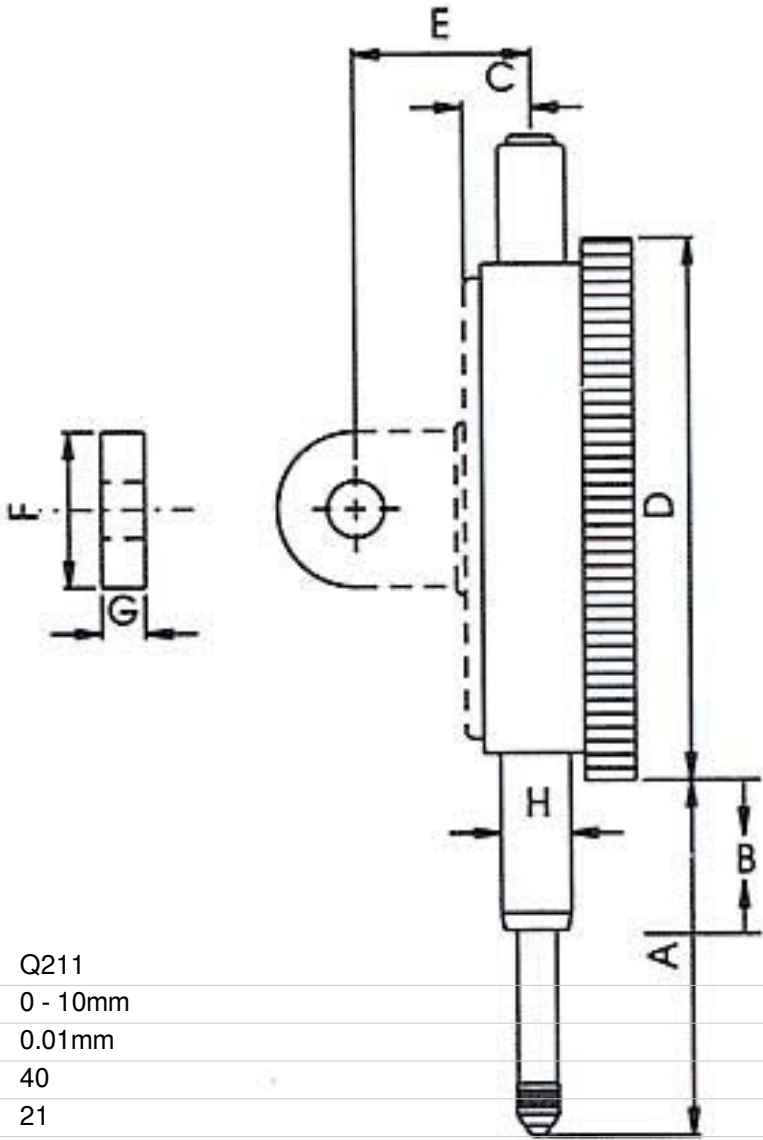
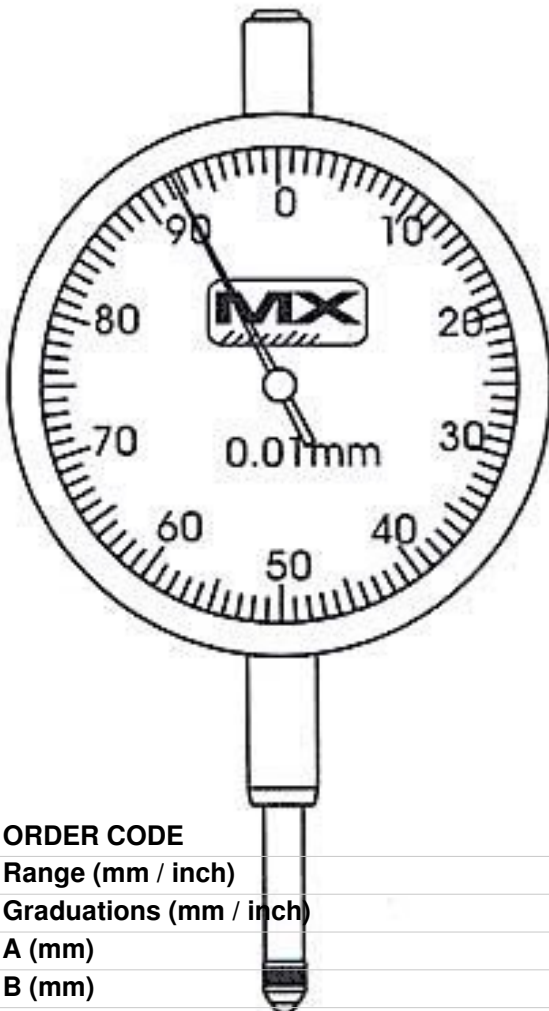


MEASUMAX Metric Dial Indicator 34-211

Features

- Face Ø58mm - Back plate mounting lug
- Smooth movement
- In-out tolerance marker
- Supplied in foam lined plastic case with calibration certificate

Specifications



ORDER CODE	Q211
Range (mm / inch)	0 - 10mm
Graduations (mm / inch)	0.01mm
A (mm)	40
B (mm)	21
C (mm)	8
D (mm)	58
E (mm)	19
F (mm)	17
G (mm)	6.35
H (mm)	8