

MEASUMAX 32-1947



Vernier Calipers

280mm / 11"



MEASUMAX Vernier Calipers 32-1947



Metric and Imperial Graduations

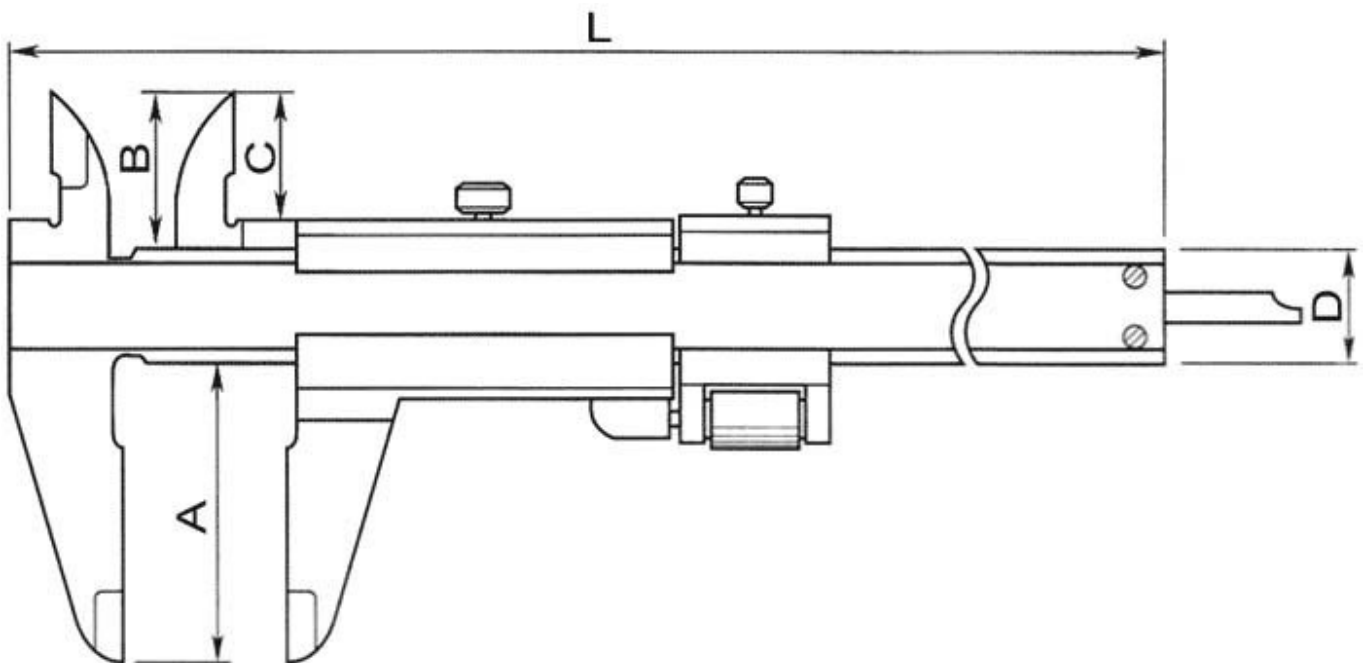


Pouch

Features

- Mono-block vernier
- With fine adjustment
- Made of stainless steel
- 4-Way measuring
- Accuracy $\pm 0.04\text{mm}$
- Supplied with vinyl protective sleeve

Specifications



ORDER CODE	Q1947
Range	280mm / 11"
Graduations	0.02mm / 0.001"
Accuracy (mm)	± 0.04
A (mm)	62

MEASUMAX Vernier Calipers 32-1947

B (mm)	27
C (mm)	22
D (mm)	20
L (mm)	400
4 Way (Yes / No)	Yes