

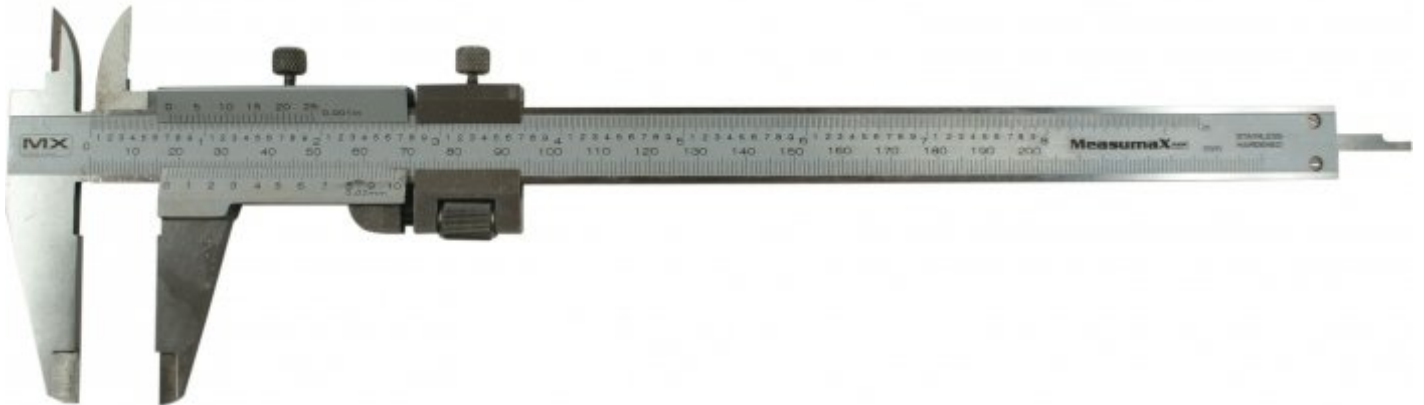
MEASUMAX 32-1946



MeasumaX

Vernier Calipers

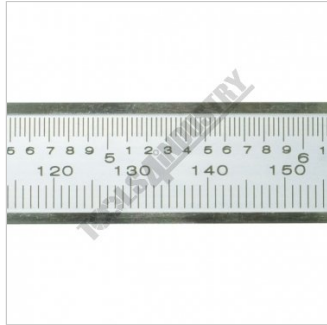
180mm / 7"



MEASUMAX Vernier Calipers 32-1946



Close Up



Metric and Imperial Graduations

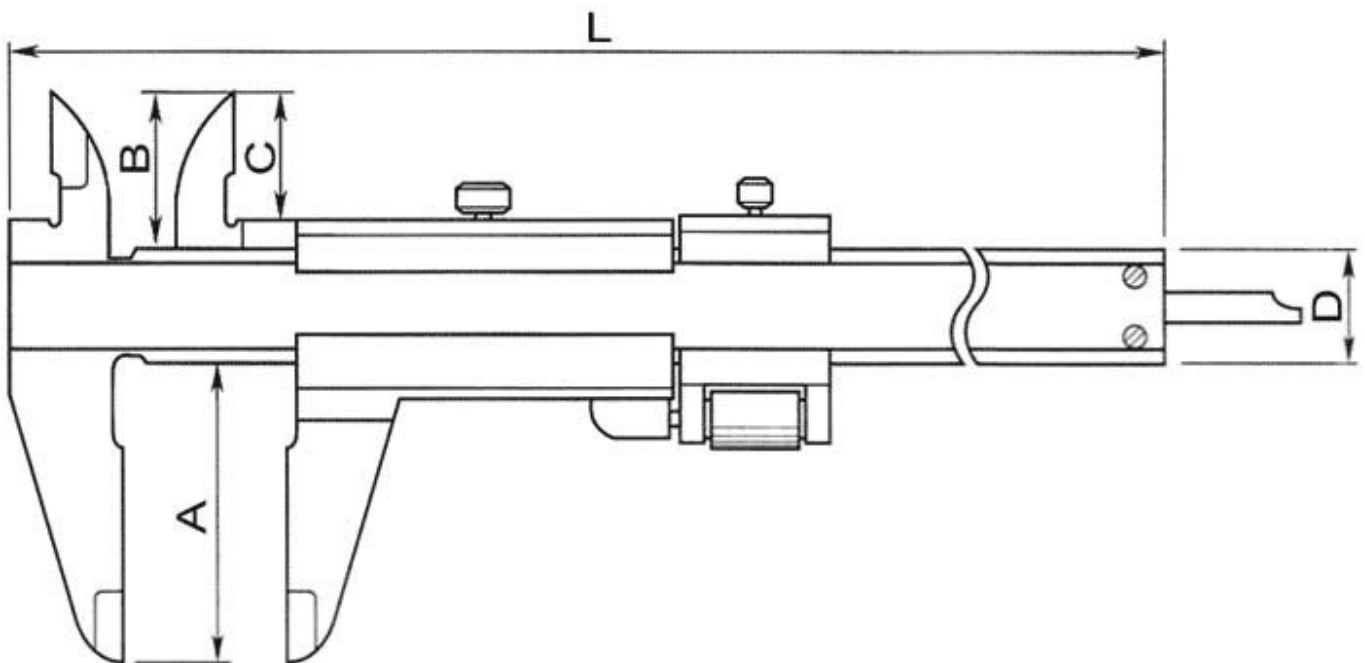


Pouch

Features

- Mono-block vernier
- With fine adjustment
- Made of stainless steel
- 4-Way measuring
- Accuracy $\pm 0.03\text{mm}$
- Supplied with vinyl protective sleeve

Specifications



ORDER CODE	Q1946
Range	180mm / 7"
Graduations	0.02mm / 0.001"
Accuracy (mm)	± 0.03
A (mm)	50

MEASUMAX Vernier Calipers 32-1946

B (mm)	25
C (mm)	20
D (mm)	16
L (mm)	285
4 Way (Yes / No)	Yes