

MEASUMAX 32-1941

Vernier Calipers

0-200mm / 0-8"



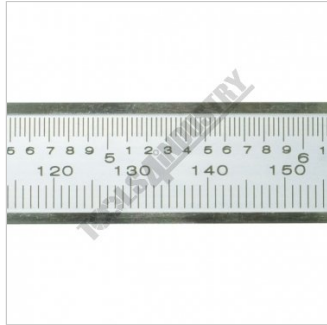
Measumax



MEASUMAX Vernier Calipers 32-1941



Pouch

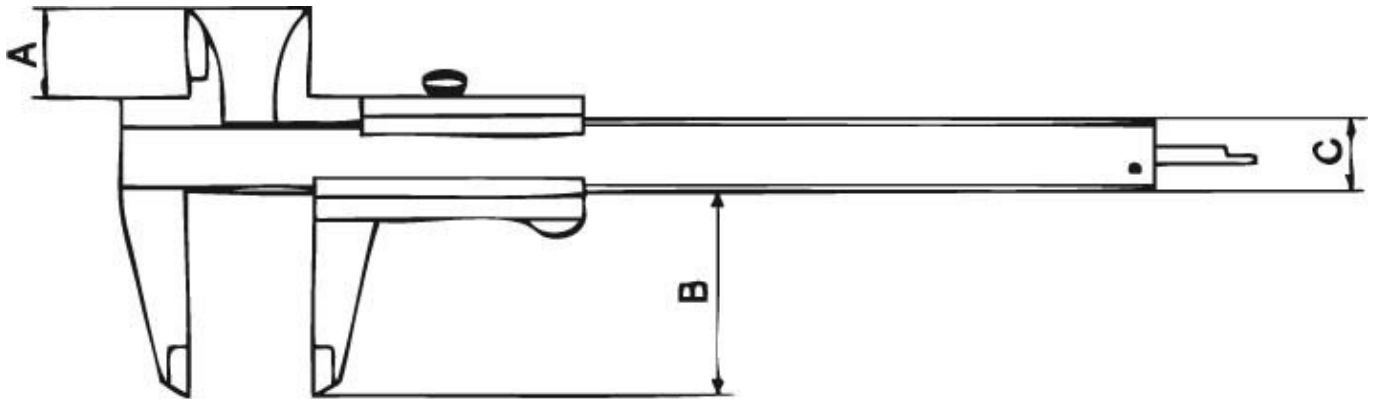


Metric and Imperial Graduations

Features

- Metric/Imperial scale
- Mono-block vernier
- 4-Way measurement
- Made of hardened stainless steel
- Accuracy $\pm 0.03\text{mm}$

Specifications



ORDER CODE	Q1941
MODEL	~
Measuring Unit	Metric / Imperial
Range (mm / Inch)	0-200mm / 0-8"
Graduations (mm / Inch)	0.02mm / 0.001"
Repeatability (mm)	~
Accuracy (mm)	± 0.03
A (mm)	20
B (mm)	50
C (mm)	16
Measurement	4 Way