

MEASUMAX 32-194



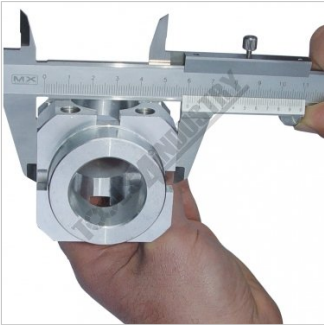
Measumax

Vernier Calipers

0-150mm



MEASUMAX Vernier Calipers 32-194



Shown Measuring



Pouch

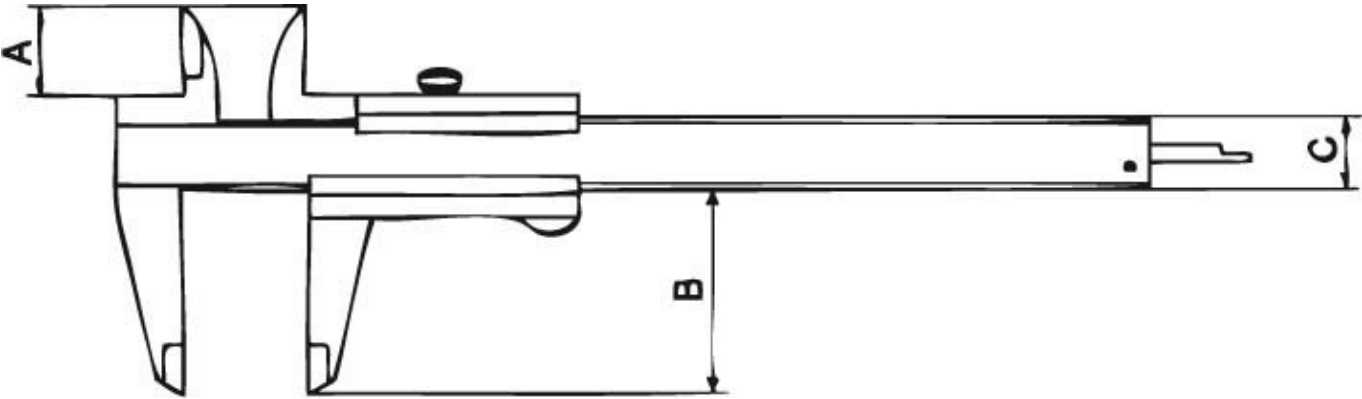


Metric Graduations

Features

- Metric scale
- Mono-block vernier
- 4-Way measurement
- Made of hardened stainless steel
- Accuracy $\pm 0.03\text{mm}$

Specifications



ORDER CODE	Q194
MODEL	~
Measuring Unit	Metric
Range (mm / Inch)	0-150mm
Graduations (mm / Inch)	0.02mm
Repeatability (mm)	~
Accuracy (mm)	± 0.03
A (mm)	17.5
B (mm)	40
C (mm)	15.5
Measurement	4 Way