

MEASUMAX 22-146

Depth Micrometer

0-100mm



Measumax



MEASUMAX Depth Micrometer 22-146



Graduations



Measuring Example



Figure 1



Figure 2



Figure 3

Description

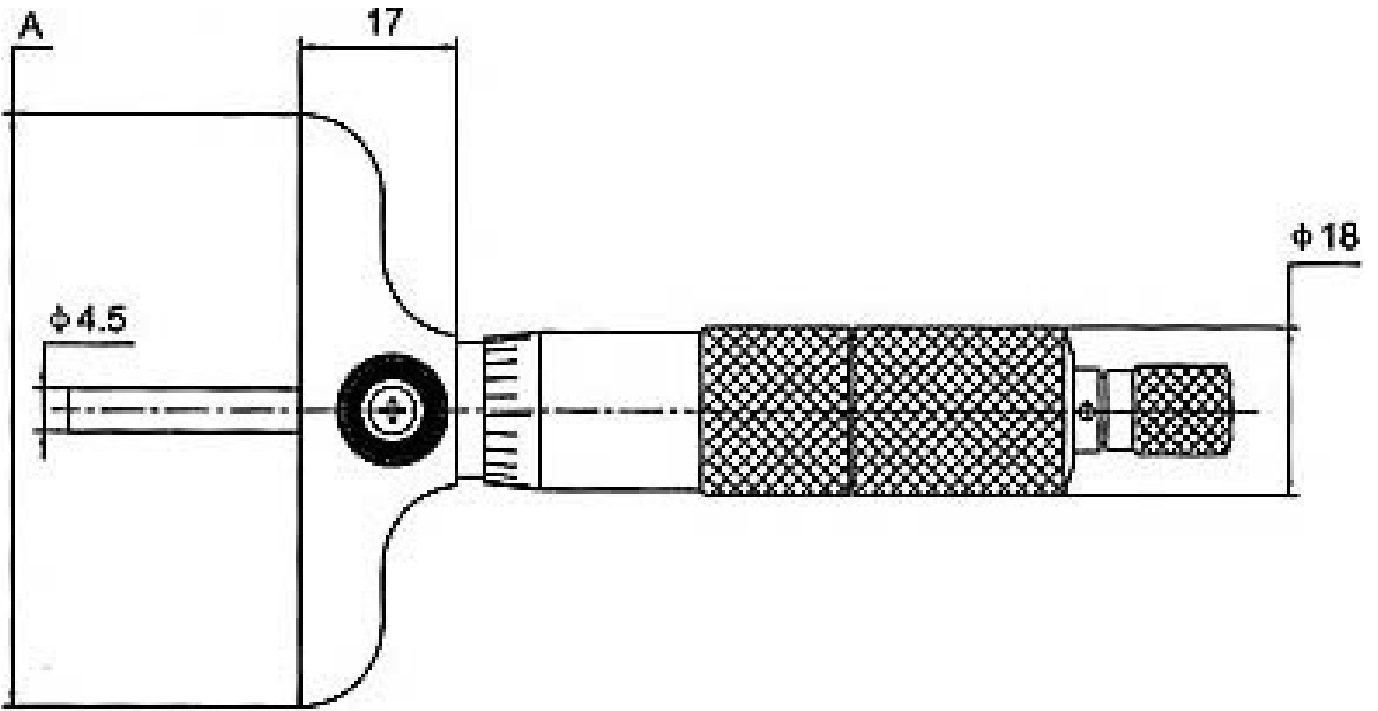
High accuracy interchangeable rods with hardened and micro lapped anvils, provide a wide measuring range

Features

- High accuracy interchangeable rods with hardened and micro lapped flat anvils, provide a wide measuring range
- The interchangeable rods are held securely under the top ratchet section and have individual adjustment for resetting if required
- The base is hardened, ground and lapped for accuracy
- Ratchet stop for exact repetitive readings
- Positive locking clamp
- Resolution: Metric 0.01mm

Specifications

MEASUMAX Depth Micrometer 22-146



MEASUMAX Depth Micrometer 22-146

ORDER CODE

MEASUMAX Depth Micrometer 22-146

Q146

Range (mm / inch)	0 - 100mm
Graduation (mm)	0.01
Accuracy (mm / inch)	±0.005mm
A (mm / inch)	100mm
Rods (No.)	4