

MEASUMAX 22-145

Depth Micrometer

0-50mm



Measumax



MEASUMAX Depth Micrometer 22-145



Graduations



Measuring Example



Figure 1



Figure 2



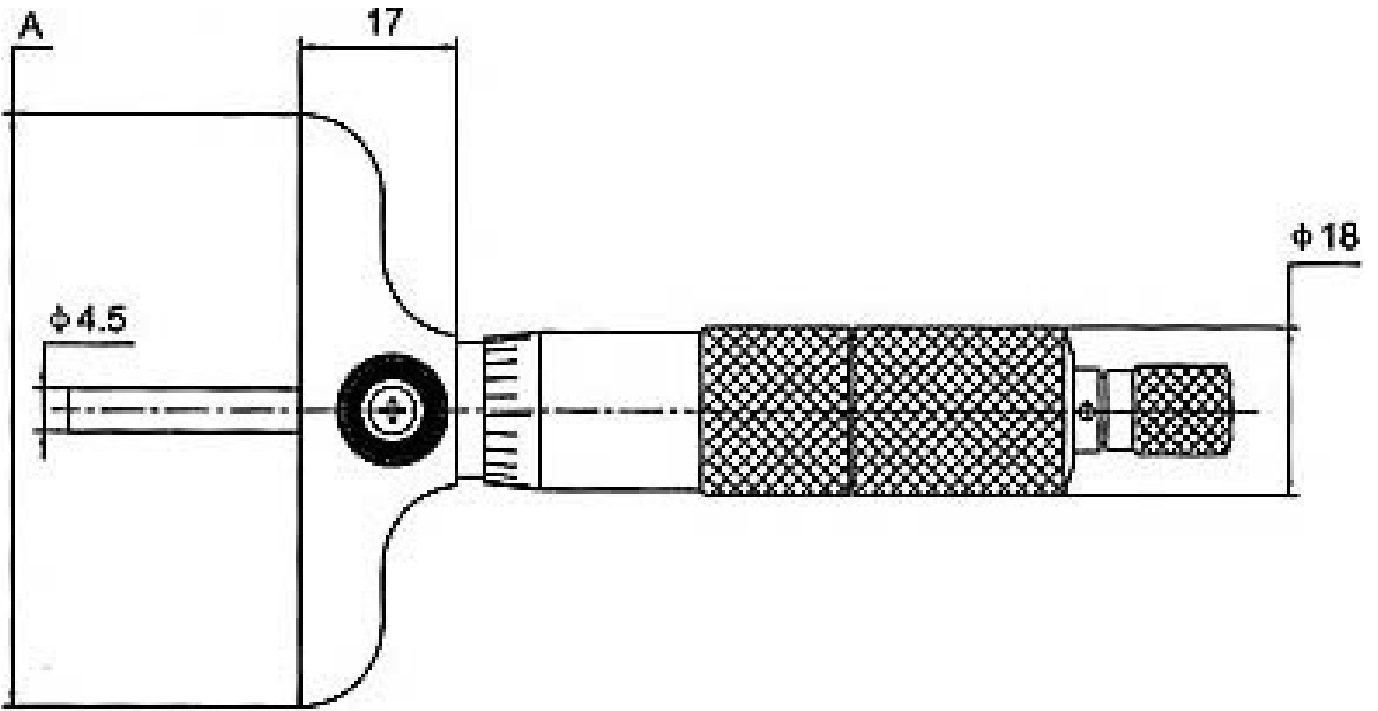
Figure 3

Features

- High accuracy interchangeable rods with hardened and micro lapped flat anvils, provide a wide measuring range
- The interchangeable rods are held securely under the top ratchet section and have individual adjustment for resetting if required
- The base is hardened, ground and lapped for accuracy
- Ratchet stop for exact repetitive readings
- Positive locking clamp
- Graduation: 0.01mm

Specifications

MEASUMAX Depth Micrometer 22-145



ORDER CODE

Q145

MEASUMAX Depth Micrometer 22-145

Range (mm / inch)	0 - 50mm
Graduation (mm)	0.01
Accuracy (mm / inch)	±0.004mm
A (mm / inch)	100mm
Rods (No.)	2