

**MEASUMAX 25-134**

**Internal Micrometers - Caliper Jaw Type**

**5-30mm**



**Measumax**



## MEASUMAX Internal Micrometers - Caliper Jaw Type 25-134



Jaws Open



Setting Ring



Storage Case

### Description

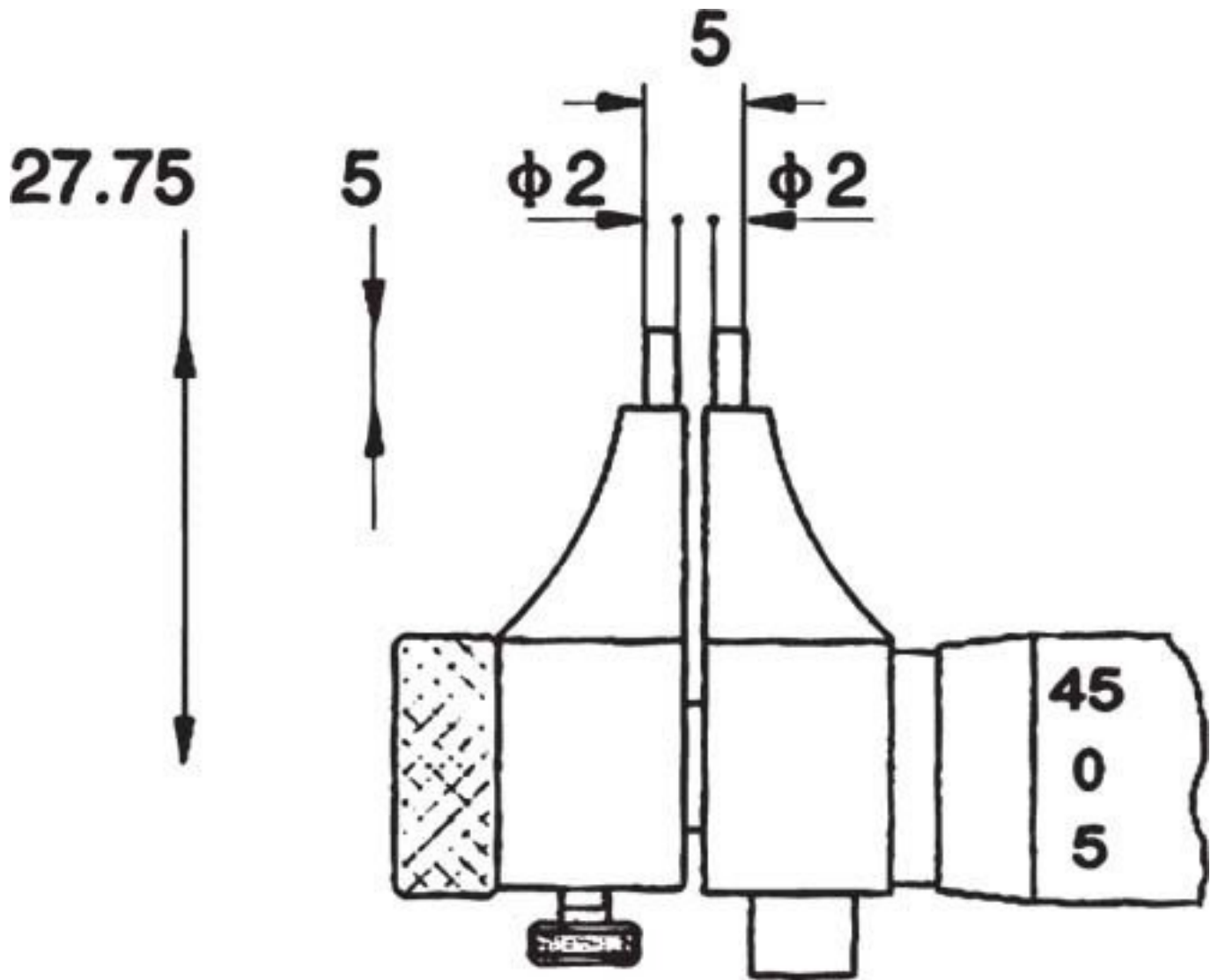
Measumax caliper type micrometers allow internal measurements of small parts to be uniform and extremely accurate

### Features

- Micro-fine graduations on satin chrome finish
- Carbide measuring faces
- Jaws made from high grade tool steel
- Standard setting ring supplied
- Graduation: 0.01mm
- Accuracy: 0.005mm

### Specifications

**MEASUMAX Internal Micrometers - Caliper Jaw Type 25-134**



**MEASUMAX Internal Micrometers - Caliper Jaw Type 25-134**

**ORDER CODE**

**MEASUMAX Internal Micrometers - Caliper Jaw Type 25-134**

Q134

<b>Range (mm)</b>	5 - 30
<b>Graduation (mm)</b>	0.01
<b>Accuracy (mm)</b>	0.005