

MEASUMAX 10-1242

Digital Outside Micrometer

25-50mm / 1-2"



MeasumaX



MEASUMAX Digital Outside Micrometer 10-1242



Shown with Ball Point Adaptor

Description

Quick, accurate and easy to use, at an economical price.

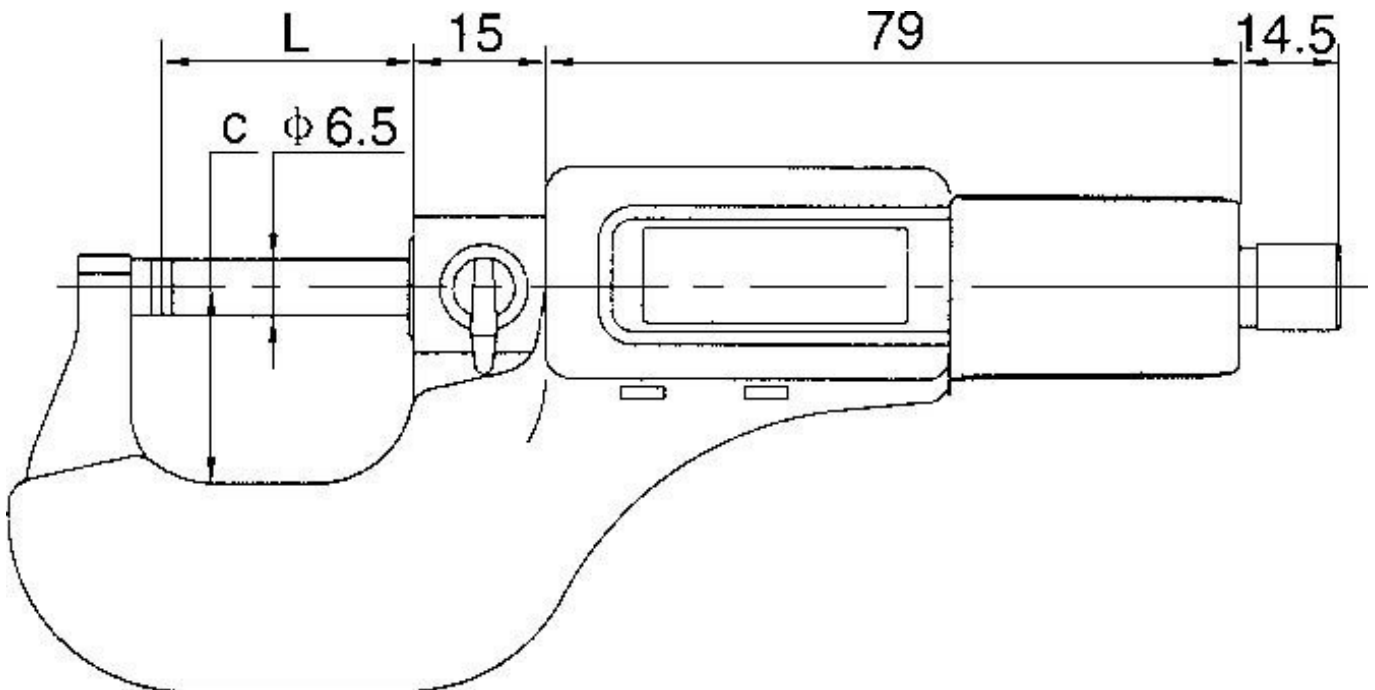
Features

- Large LCD for easy reading
- Metric-imperial conversion and zero setting keys
- Friction thimble for easy one hand use
- Painted frame. Carbide measuring faces
- Resolution: 0.001mm/0.0005"

Includes

- Includes CR2032 battery
- Ball point adaptor for use with round pipe or tubes (wall thickness)

Specifications



MEASUMAX Digital Outside Micrometer 10-1242

ORDER CODE

MEASUMAX Digital Outside Micrometer 10-1242

	Q1242
Range (mm / inch)	25 - 50mm / 1 - 2"
Accuracy (mm)	±0.002
C (mm)	29
L (mm)	54
Protection Rating	~
Direct RS-232 output (Yes / No)	No