

MEASUMAX 10-110

Metric Outside Micrometer



MeasumaX



MEASUMAX Metric Outside Micrometer 10-110

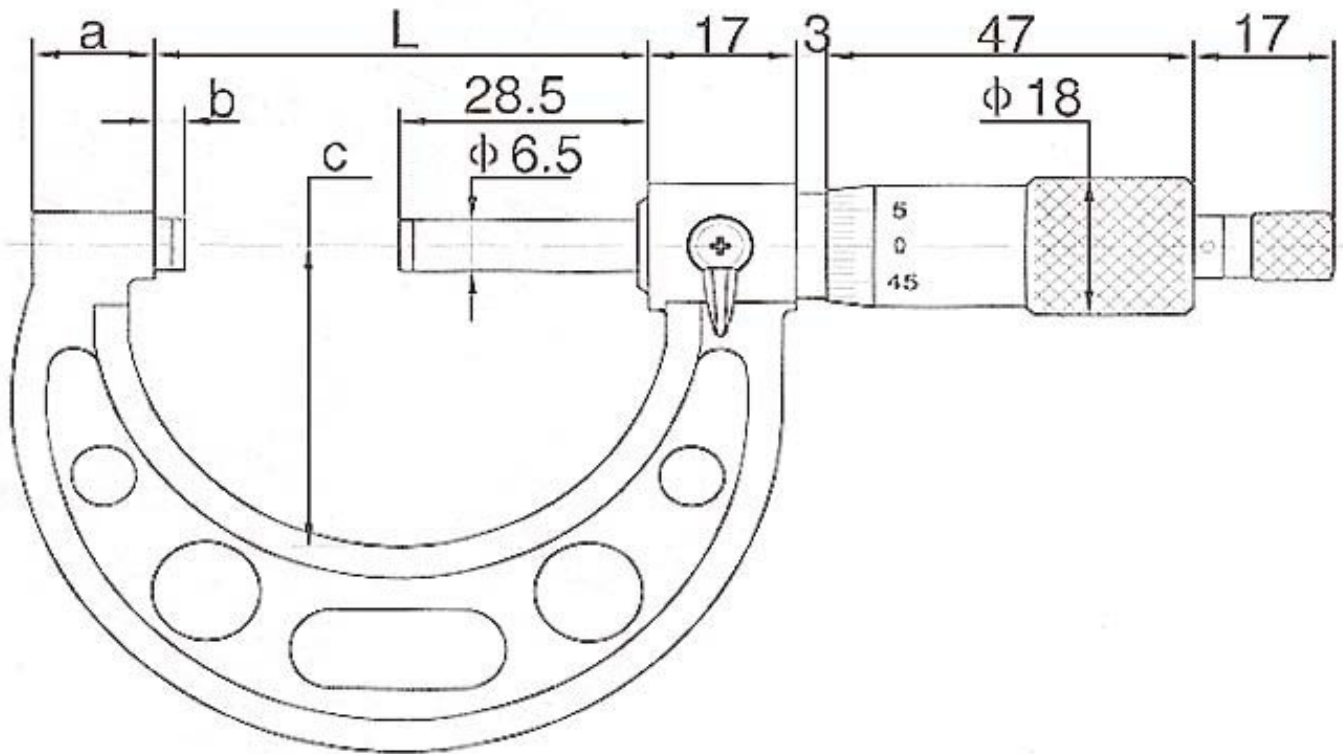
Description

Measumax metric micrometers represent exceptional value. Special care has been taken in design and workmanship to ensure high precision and long life.
Measumax metric micrometers meet industry standards for specification and accuracy

Features

- Carbide measuring faces - Painted cast frame
- Micro-fine clear graduations on satin chrome finish
- Measuring face 6.5mm, Flatness 0.0008mm
- Ratchet stop for exact repetitive readings
- Includes deluxe foam lined plastic case and wrench
- Graduation 0.01mm
- Supplied with setting standards

Specifications



ORDER CODE	Q110
Range (mm)	75 - 100
Graduation (mm)	0.01
Accuracy (mm)	0.005
Setting Bar (No.)	1
a (mm)	15
b (mm)	3
c (mm)	60
L (mm)	107

MEASUMAX Metric Outside Micrometer 10-110

m061

~