

SUNRISE



10 x 30mm Slotted Punch

Hi -Grade Tool Steel Imported From Japan



SUNRISE 10 x 30mm Slotted Punch

Top View

Description

Punch and Dies are Manufactured by Sunrise in Taiwan using Hi -Grade Tool Steel imported from Japan.

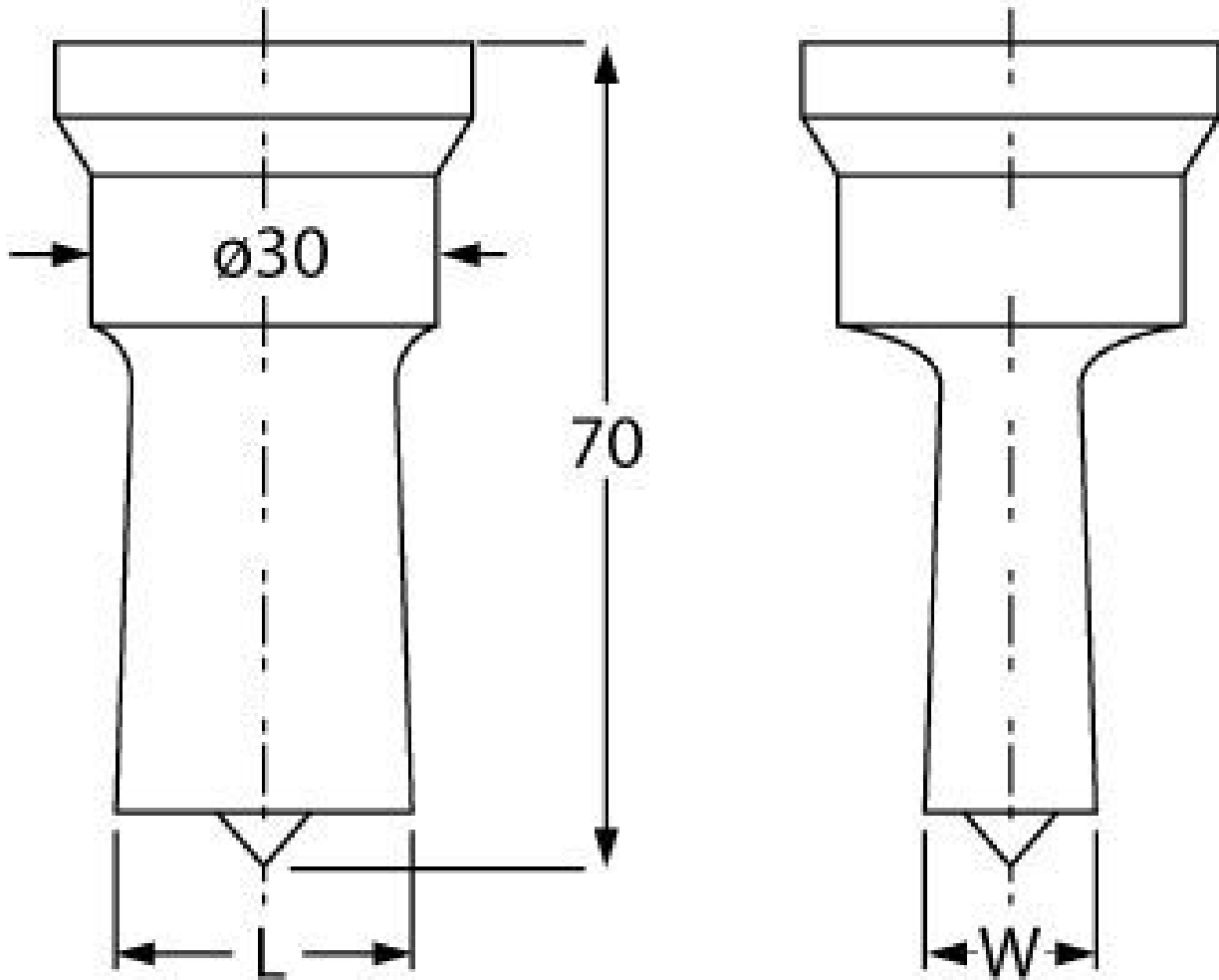
The manufacturing process involves machining via hi tech CNC machines lathes & mills, vacuum heat treatment with multiple tempering at high temperatures before a final quality inspection/testing process all of which ensures an accurate, precise, durable & stable product.

Features

- PLEASE NOTE FOLLOWING RECOMMENDATIONS WHEN SELECTING DIE CLEARANCE:
- Material Thickness - 2 ~ 4mm = Die Clearance 0.2mm
- Material Thickness - 4 ~ 9.5mm = Die Clearance 0.7mm
- Material Thickness - 10 ~ 14.5mm = Die Clearance 1.2mm
- Material Thickness - 15 ~ 19.5mm = Die Clearance 1.7mm
- Material Thickness - 20 ~ 24mm = Die Clearance 2.2mm

Specifications

SUNRISE 10 x 30mm Slotted Punch



SUNRISE 10 x 30mm Slotted Punch

ORDER CODE

SUNRISE 10 x 30mm Slotted Punch

| | |
|--|---------------------|
| | P6037 |
| Shape - Type | Slotted Punch - 0P1 |
| Square or Slot Hole Size (W x L) (mm) | 10 x 30 |
| Punch Locating Diameter x Length (mm) | Ø30 x 70mm |
| Die Outside Body Diameter x Height (mm) | ~ |