

HAFCO CP-20L1



Coolant Pump

1/8hp, 240V Motor



HAFCO Coolant Pump CP-20L1



Rear View



Front View



Name Plate



Left Side View



Right Side View



Top View



Bottom View



Top Rear View



Bottom Low View

Description

Manufactured in Taiwan

135mm Leg COOLANT PUMP BARE - 240V
Bare pump for almost any application

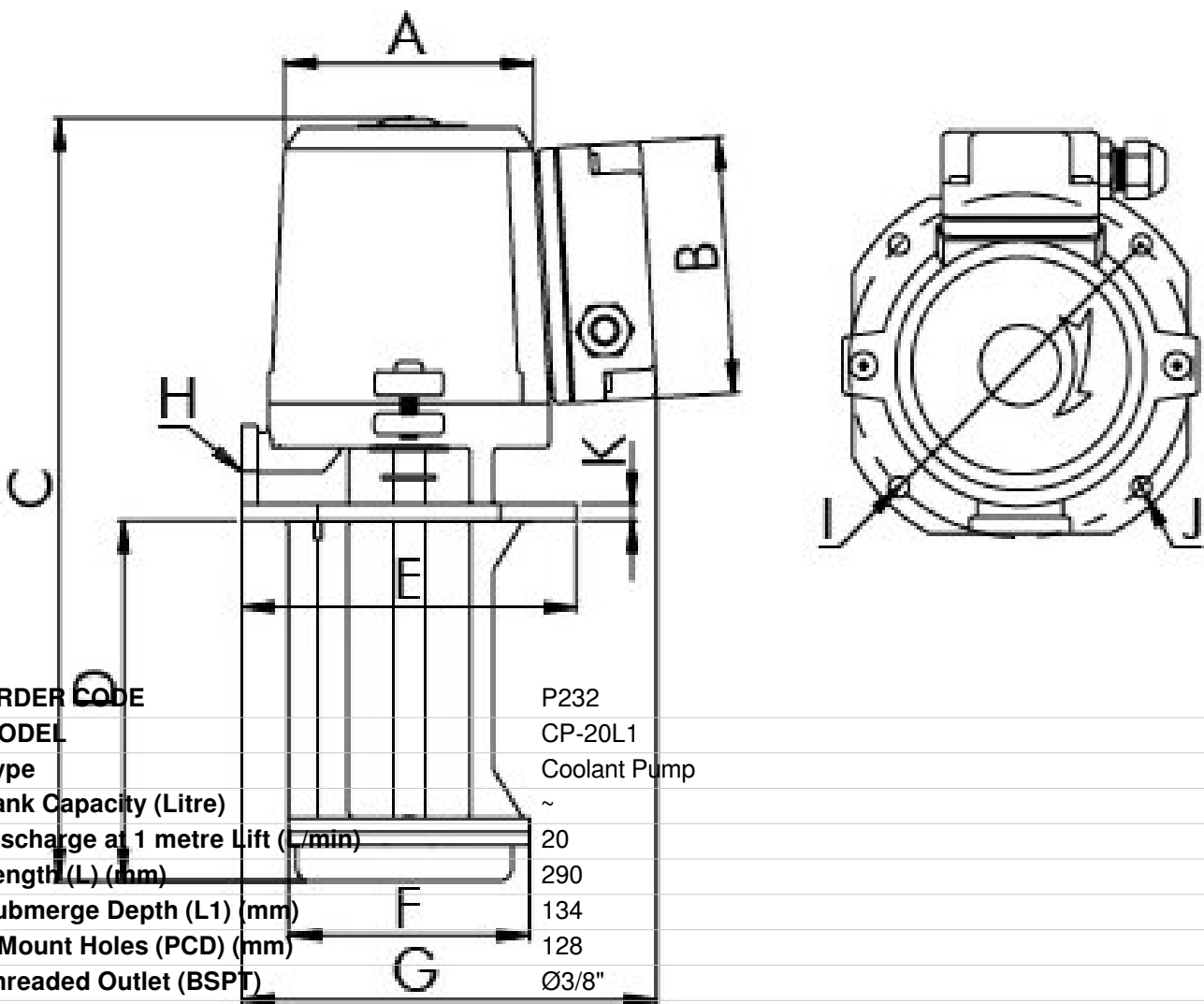
HAFCO Coolant Pump CP-20L1

Features

- 20 litres/min. at 1 metre lift
- 135mm submersible leg
- Non-corrosive plastic impellers

- Please Note: Motor housing should never be submersed or have any fluid splashed on it

Specifications



ORDER CODE	P232
MODEL	CP-20L1
Type	Coolant Pump
Tank Capacity (Litre)	~
Discharge at 1 metre Lift (L/min)	20
Length (L) (mm)	290
Submerge Depth (L1) (mm)	134
4 Mount Holes (PCD) (mm)	128
Threaded Outlet (BSPT)	Ø3/8"
A (mm)	96
B (mm)	95
C (mm)	290
D (mm)	134
E (mm)	121
F (mm)	90
G (mm)	156
H	3/8" PT

HAFCO Coolant Pump CP-20L1

I (mm)	128
J (mm)	8
K (mm)	6
Motor Power (hp)	1/8
Voltage / Amperage (V / amp)	240 / 10
Dimensions (L x W x H) (mm)	300 x 150 x 210
Nett Weight (kg)	6.1