

HAFCO CP-60L3

Coolant Pump

1/4hp, 415V Motor



HAFCO Coolant Pump CP-60L3

Front View



Left Side View



Rear View



Right Side View

Description

Manufactured in Taiwan

180mm Leg COOLANT PUMP BARE - 415V
Bare pump for almost any application

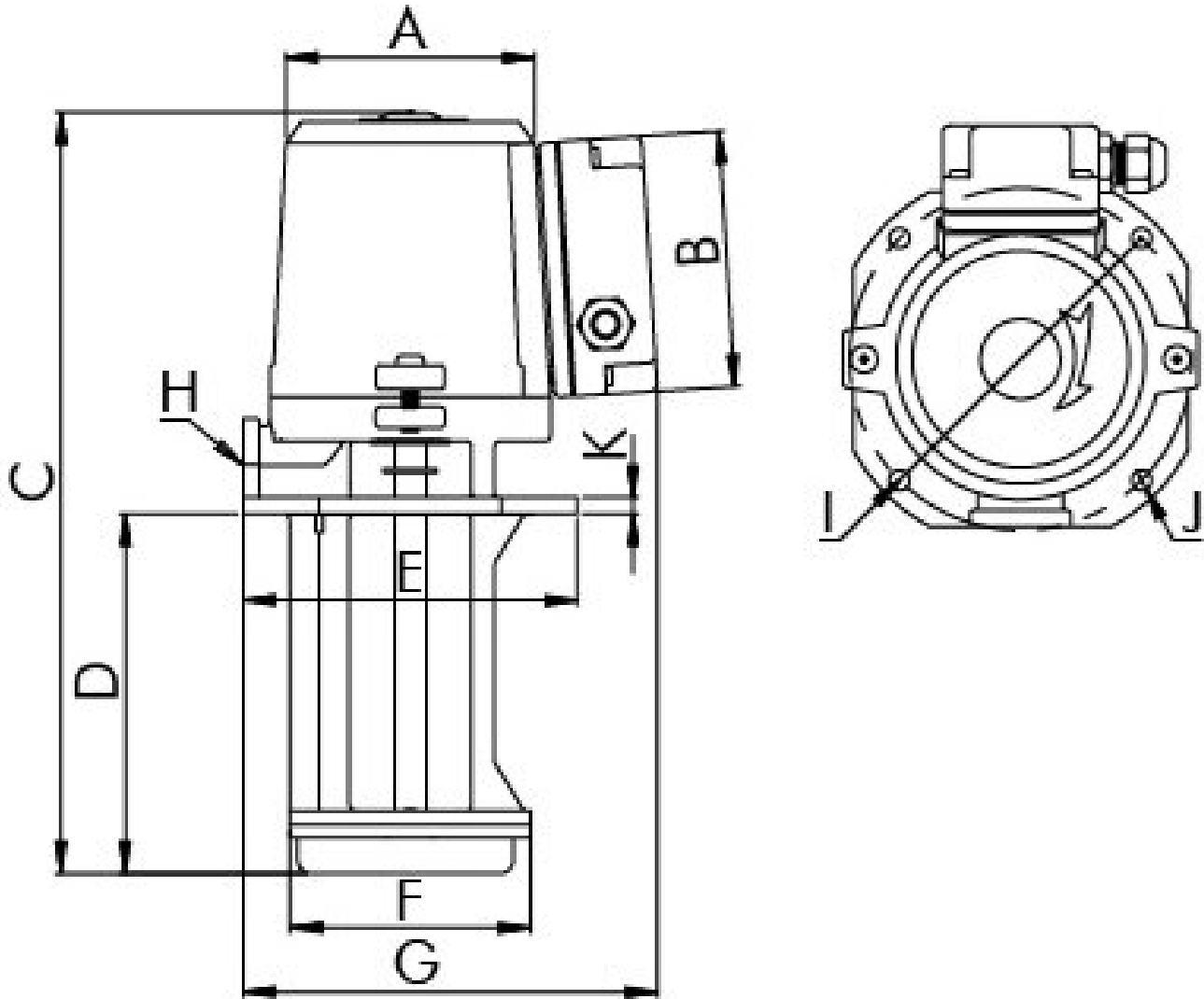
Features

- 70 litres/min. at 1 metre lift
- 180mm submersible leg
- High-tensile cast iron housing
- Non-corrosive plastic impellers

- Please Note: Motor housing should never be submersed or have any fluid splashed on it

Specifications

HAFCO Coolant Pump CP-60L3



HAFCO Coolant Pump CP-60L3

ORDER CODE

HAFCO Coolant Pump CP-60L3

	P230
MODEL	CP-60L3
Type	Coolant Pump
Tank Capacity (Litre)	~
Discharge at 1 metre Lift (L/min)	70
Length (L) (mm)	360
Submerge Depth (L1) (mm)	180
4 Mount Holes (PCD) (mm)	158
Threaded Outlet (BSPT)	Ø1/2"
A (mm)	160
B (mm)	~
C (mm)	339
D (mm)	174
E (mm)	160
F (mm)	120
G (mm)	189
H	1/2" PT
I (mm)	158
J (mm)	8
K (mm)	~
Motor Power (hp)	1/4
Voltage / Amperage (V / amp)	415
Dimensions (L x W x H) (mm)	370 x 200 x 210
Nett Weight (kg)	11.5