



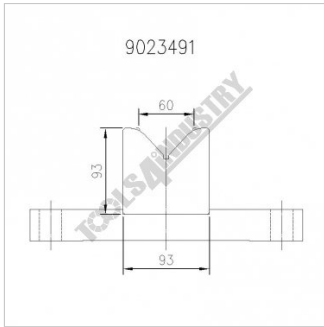
SUNRISE 9023491

Single-Vee Pressbrake Bending Attachment

250 x 15mm (60mm Vee)



SUNRISE Single-Vee Pressbrake Bending Attachment 9023491



Single Vee Pressbrake
 Diagram

Description

Sunrise Single-Vee pressbrake bending attachment is a great device to bend mild steel plate with a maximum capacity of 250 x 15mm and a tensile strength of 45kg/mm squared

This attachment can only be fitted to the hole punching station as pictured

Specifications

ORDER CODE	P188A
MODEL	9023491
Type	Single-Vee
Bending Capacity - Mild Steel (mm)	250 x 15
Die Block Vee Sizes (mm)	60mm
Suits Punch & Shear Models	IW-100S/SD, IW-125S/SD IW-165SD