

**SUNRISE 9023901**

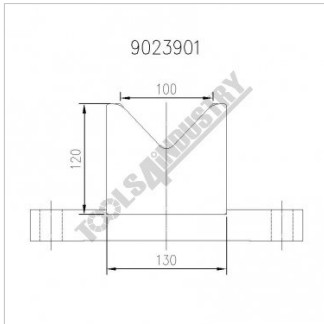


**Single-Vee Pressbrake Bending Attachment**

**250 x 20mm (100mm Vee)**



**SUNRISE Single-Vee Pressbrake Bending Attachment 9023901**



Single Vee Pressbrake  
 Diagram

**Description**

Sunrise Single-Vee pressbrake bending attachment is a great device to bend mild steel plate with a maximum capacity of 250 x 20mm and a tensile strength of 45kg/mm squared

This attachment can only be fitted to the hole punching station as pictured

**Specifications**

<b>ORDER CODE</b>	P188
<b>MODEL</b>	9023901
<b>Type</b>	Single-Vee
<b>Bending Capacity - Mild Steel (mm)</b>	250 x 20
<b>Die Block Vee Sizes (mm)</b>	100mm
<b>Suits Punch &amp; Shear Models</b>	IW-100S/SD, IW-125S/SD IW-165SD