



SUNRISE PDS-40

Ø11-40mm Round Punch & Dies Set

Hi -Grade Tool Steel Imported From Japan



SUNRISE Ø11-40mm Round Punch & Dies Set PDS-40**Description**

Punch and Dies are Manufactured by Sunrise in Taiwan using Hi -Grade Tool Steel imported from Japan. The manufacturing process involves machining via hi tech CNC machines lathes & mills, vacuum heat treatment with multiple tempering at high temperatures before a final quality inspection/testing process all of which ensures an accurate, precise, durable & stable product.

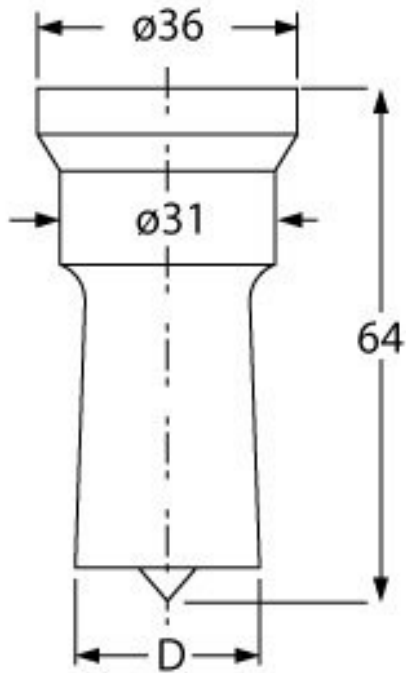
Features

- Set includes punch & dies:
- 11mm Punch & 11.7mm Die
- 13mm Punch & 13.7mm Die
- 19mm Punch & 19.7mm Die
- 24mm Punch & 25.2mm Die
- 25mm Punch & 26.2mm Die
- 28mm Punch & 29.2mm Die
- 30mm Punch & 31.2mm Die
- 32mm Punch & 33.2mm Die
- 38mm Punch & 39.2mm Die
- 40mm Punch & 41.2mm Die

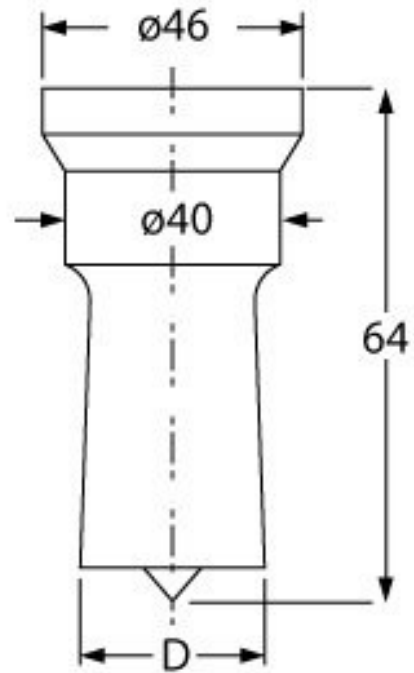
Specifications

SUNRISE Ø11-40mm Round Punch & Dies Set PDS-40

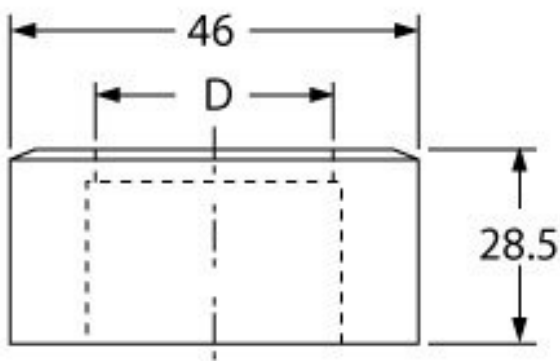
Punches
11, 13, 19, 24, 25, 28, 30



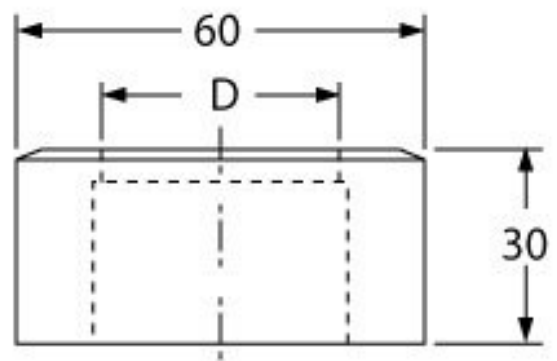
Punches
32, 38, 40



Dies 11.7 ~ 31.2



Dies 33.2 ~ 41.2



SUNRISE Ø11-40mm Round Punch & Dies Set PDS-40

ORDER CODE

SUNRISE Ø11-40mm Round Punch & Dies Set PDS-40

P166

MODEL	~
Type	Punch & Die Set
Punch Diameter (D) (mm)	Ø11 - 40
Die Diameter (D) (mm)	Ø11.7 - 41.2
Pack Quantity (No.)	10