

**HAFCO**

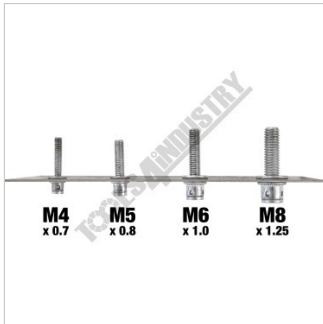


**Rivet Stud Inserts - M8 x 1.25mm**

**Steel - Zinc Plated**



## HAFCO Rivet Stud Inserts - M8 x 1.25mm



Stud Range N024 28



Shown with Optional Mandrel Adaptors N023 and Riveter Set N001

### Description

Suits RNB40 Twin Handle Nut Riveter

### Features

- Steel - Zinc Coated
- Fast & easy installation from one side
- Adds a threaded stud to thin sheet metal
- Knurled section of the body for anti-rotation
- \*\* Easy to install with the RNB40 Nut Riveter
  
- \*\* NOTE: Requires M8 Stud Rivet Mandrel, sold separately (Order Code: N023)

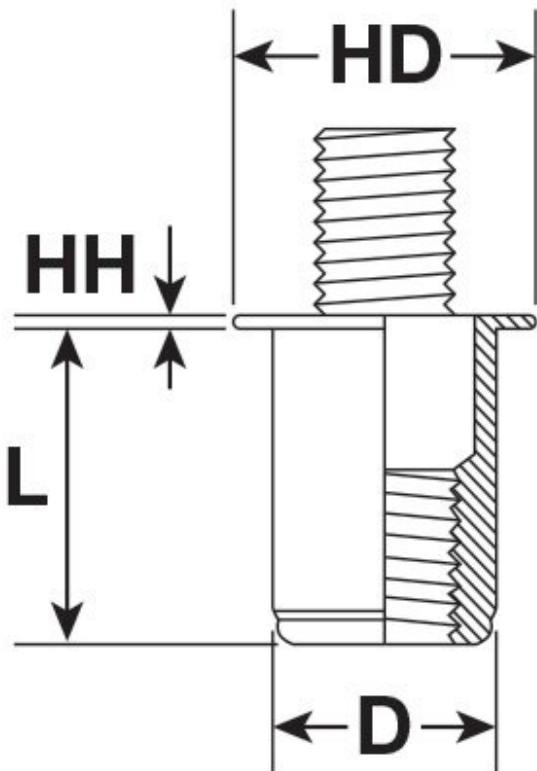
### Includes

- 50 x Rivet Stud Insert - M8 x 1.25mm
- 20mm thread length

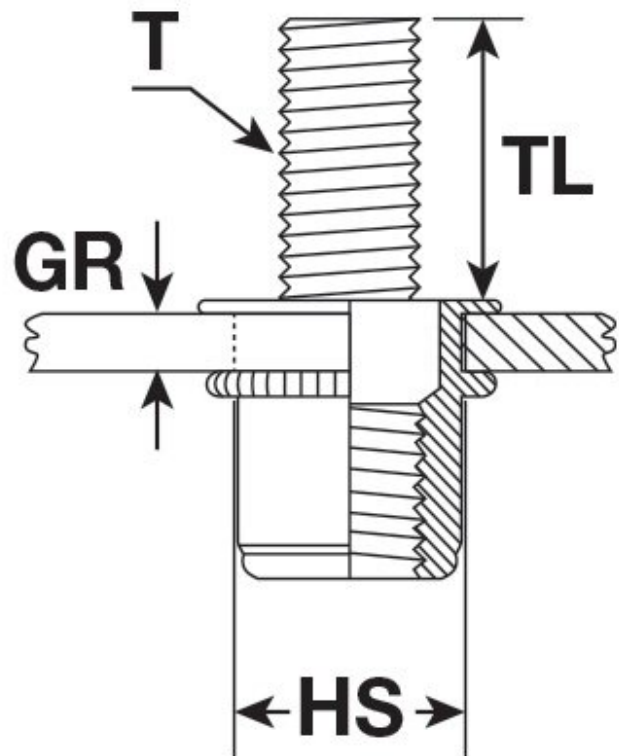
### Specifications

**HAFCO Rivet Stud Inserts - M8 x 1.25mm**

# STUD INSERT



**UNINSTALLED**



**INSTALLED**

**HAFCO Rivet Stud Inserts - M8 x 1.25mm**

**ORDER CODE**

**HAFCO Rivet Stud Inserts - M8 x 1.25mm**

N028

<b>MODEL</b>	~
<b>Type</b>	Rivet Stud Inserts
<b>Nut Insert Material (Type)</b>	Steel - Zinc Coated
<b>Quantity in Pack</b>	50
<b>Rivet Nut Inserts Range (Metric)</b>	~
<b>Blind Rivets (mm)</b>	~
<b>Thread Size (T) (Metric)</b>	M8 x 1.25
<b>Thread Length (TL) (Metric)</b>	20
<b>Length (L) (mm)</b>	16.4
<b>Head Height (HH) (mm)</b>	1.5
<b>Head Diameter (HD) (mm)</b>	15
<b>Diameter (D) (mm)</b>	10.9
<b>Hole Size (HS) (mm)</b>	11
<b>Grip Range (GR) (mm)</b>	1.00 - 3.00
<b>Torque to Turn (Kgf.cm)</b>	200