

HAFCO

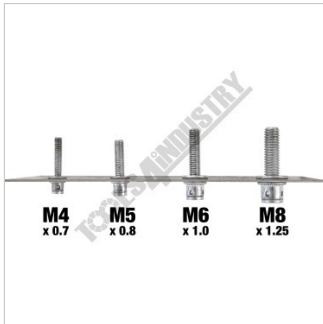


Rivet Stud Inserts - M4 x 0.7mm

Steel - Zinc Plated



HAFCO Rivet Stud Inserts - M4 x 0.7mm



Stud Range N024 28



Shown with Optional Rivet Stud
Insert N024 and Riveter Set
N001

Description

Suits RNB40 Twin Handle Nut Riveter

Features

- Steel - Zinc Coated
- Fast & easy installation from one side
- Adds a threaded stud to thin sheet metal
- Knurled section of the body for anti-rotation
- ** Easy to install with the RNB40 Nut Riveter

- ** NOTE: Requires M4 Stud Rivet Mandrel and Adaptor, sold separately (Order Code: N022)

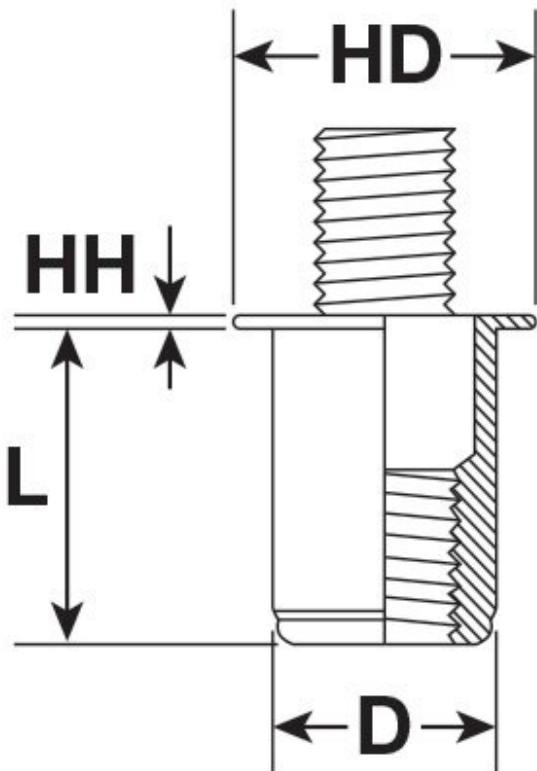
Includes

- 50 x Rivet Stud Insert - M4 x 0.7mm
- 15mm thread length

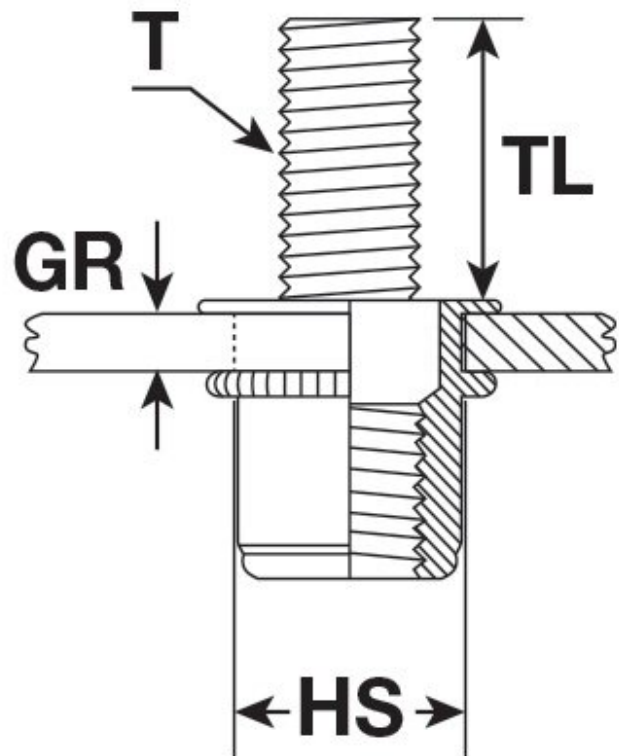
Specifications

HAFCO Rivet Stud Inserts - M4 x 0.7mm

STUD INSERT



UNINSTALLED



INSTALLED

HAFCO Rivet Stud Inserts - M4 x 0.7mm

ORDER CODE

HAFCO Rivet Stud Inserts - M4 x 0.7mm

N024

MODEL	~
Type	Rivet Stud Inserts
Nut Insert Material (Type)	Steel - Zinc Coated
Quantity in Pack	50
Rivet Nut Inserts Range (Metric)	~
Blind Rivets (mm)	~
Thread Size (T) (Metric)	M4 x 0.5
Thread Length (TL) (Metric)	15
Length (L) (mm)	10.5
Head Height (HH) (mm)	0.75
Head Diameter (HD) (mm)	9
Diameter (D) (mm)	5.8
Hole Size (HS) (mm)	6
Grip Range (GR) (mm)	0.25 - 2.50
Torque to Turn (Kgf.cm)	55