

**HAFCO**



**Rivet Nut Inserts - M6 x 1.0mm**

**Aluminium**



**HAFCO Rivet Nut Inserts - M6 x 1.0mm**

Packaging Front



Packaging Rear Side

**Description**

Suits ATR-10RN Air Operated or RNB40 Twin Handle Nut Riveters

**Features**

- Aluminium inserts
- Fast & easy installation from one side
- Adds a threaded nut to thin sheet metal
- Knurled section under nut head for anti-rotation
- Easy to install

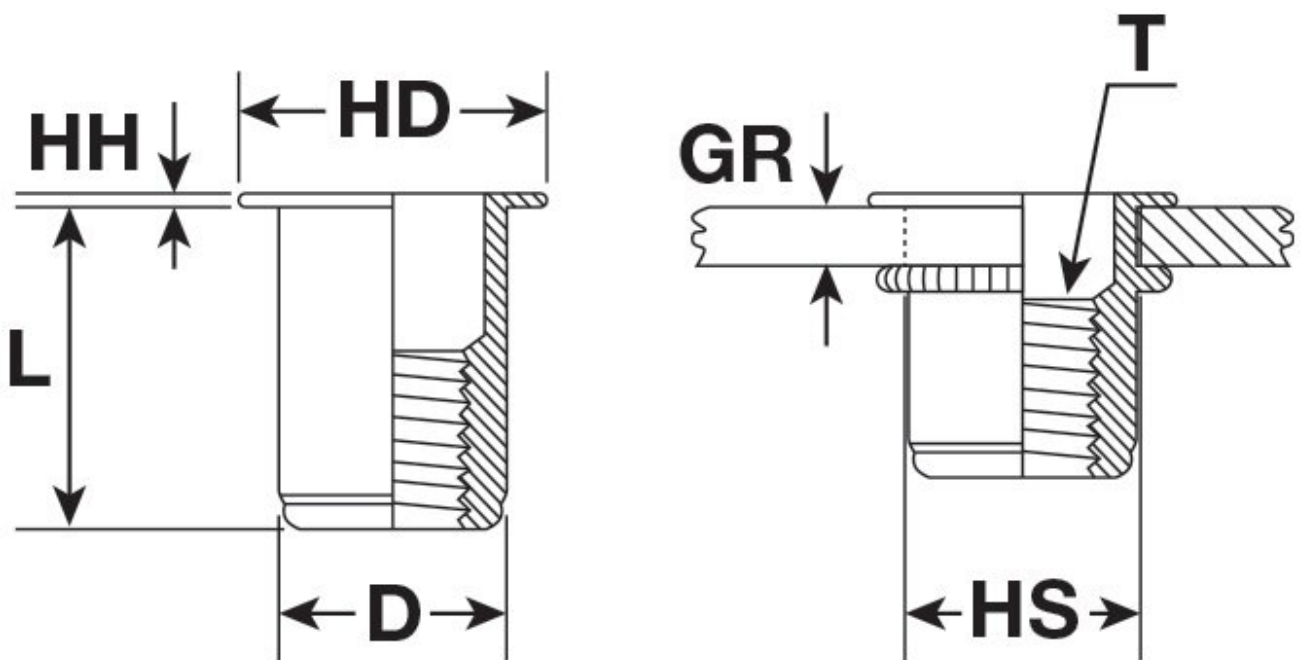
**Includes**

- 50 x Rivet Nut Inserts - M6 x 1.0mm

**Specifications**

**HAFCO Rivet Nut Inserts - M6 x 1.0mm**

# NUT INSERT



**UNINSTALLED**

**INSTALLED**

**HAFCO Rivet Nut Inserts - M6 x 1.0mm**

**ORDER CODE**

**HAFCO Rivet Nut Inserts - M6 x 1.0mm**

N016

|   |                   |
|---|-------------------|
| <b>MODEL</b>                            | ~                 |
| <b>Type</b>                             | Rivet Nut Inserts |
| <b>Nut Insert Material (Type)</b>       | Aluminium         |
| <b>Quantity in Pack</b>                 | 50                |
| <b>Rivet Nut Inserts Range (Metric)</b> | ~                 |
| <b>Blind Rivets (mm)</b>                | ~                 |
| <b>Thread Size (T) (Metric)</b>         | M6 x 1.0          |
| <b>Thread Length (TL) (Metric)</b>      | ~                 |
| <b>Length (L) (mm)</b>                  | 13.7              |
| <b>Head Height (HH) (mm)</b>            | 1.5               |
| <b>Head Diameter (HD) (mm)</b>          | 12.7              |
| <b>Diameter (D) (mm)</b>                | 8.9               |
| <b>Hole Size (HS) (mm)</b>              | 9                 |
| <b>Grip Range (GR) (mm)</b>             | 0.75 - 3.00       |
| <b>Torque to Turn (Kgf.cm)</b>          | 100               |