

HAFCO



Rivet Nut Inserts - M5 x 0.8mm

Aluminium



HAFCO Rivet Nut Inserts - M5 x 0.8mm



Packaging Front



Packaging Rear View

Description

Suits ATR-10RN Air Operated or RNB40 Twin Handle Nut Riveters

Features

- Aluminium inserts
- Fast & easy installation from one side
- Adds a threaded nut to thin sheet metal
- Knurled section under nut head for anti-rotation
- Easy to install

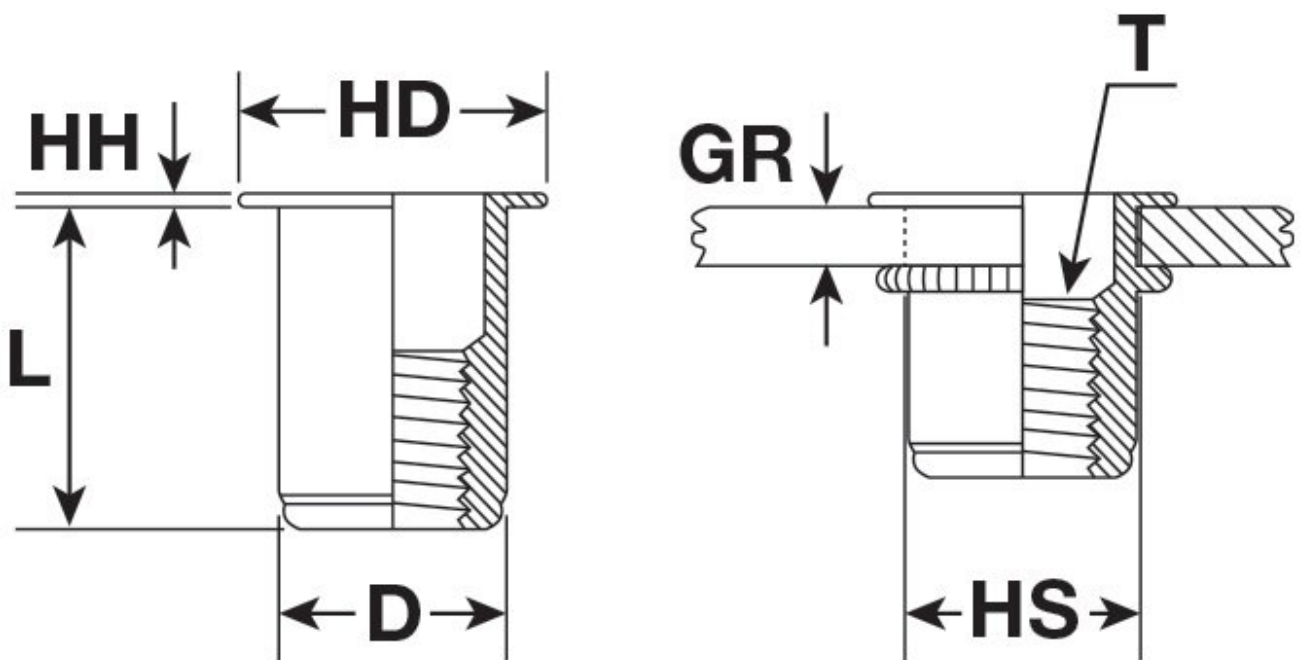
Includes

- 50 x Rivet Nut Inserts - M5 x 0.8mm

Specifications

HAFCO Rivet Nut Inserts - M5 x 0.8mm

NUT INSERT



UNINSTALLED

INSTALLED

HAFCO Rivet Nut Inserts - M5 x 0.8mm

ORDER CODE

HAFCO Rivet Nut Inserts - M5 x 0.8mm

N015

MODEL	~
Type	Rivet Nut Inserts
Nut Insert Material (Type)	Aluminium
Quantity in Pack	50
Rivet Nut Inserts Range (Metric)	~
Blind Rivets (mm)	~
Thread Size (T) (Metric)	M5 x 0.8
Thread Length (TL) (Metric)	~
Length (L) (mm)	11.6
Head Height (HH) (mm)	1.0
Head Diameter (HD) (mm)	10
Diameter (D) (mm)	6.9
Hole Size (HS) (mm)	7
Grip Range (GR) (mm)	0.25 - 2.50
Torque to Turn (Kgf.cm)	60