

HAFCO



Rivet Nut Inserts - M4 x 0.7mm

Aluminium



HAFCO Rivet Nut Inserts - M4 x 0.7mm



Packaging Front



Packaging Back

Description

Suits ATR-10RN Air Operated or RNB40 Twin Handle Nut Riveters

Features

- Aluminium inserts
- Fast & easy installation from one side
- Adds a threaded nut to thin sheet metal
- Knurled section under nut head for anti-rotation
- Easy to install
- ** NOTE: When used with RNB40 Nut Riveter, the M4 Nut Rivet Mandrel and Adaptor is required, sold separately (Order Code: N0022)

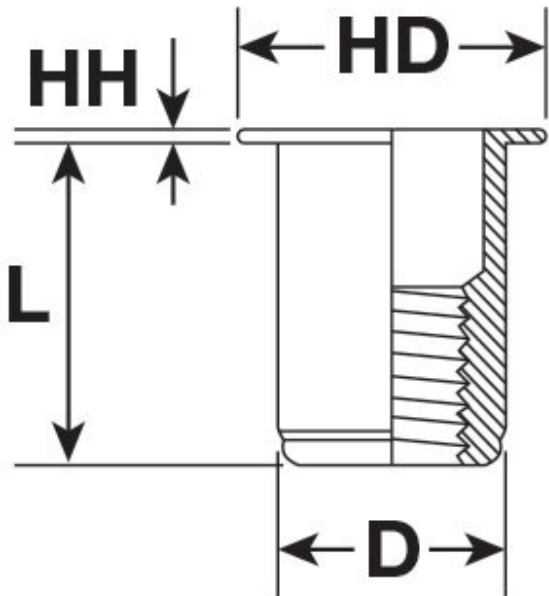
Includes

- 50 x Rivet Nut Inserts - M4 x 0.7mm

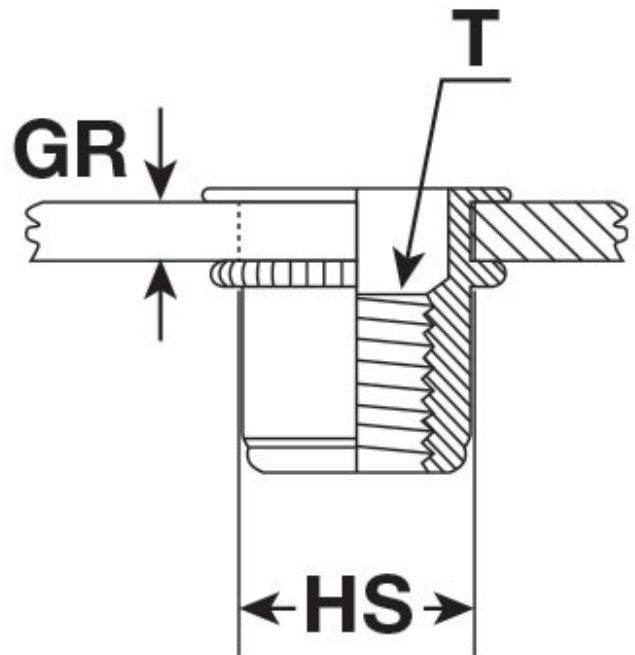
Specifications

HAFCO Rivet Nut Inserts - M4 x 0.7mm

NUT INSERT



UNINSTALLED



INSTALLED

HAFCO Rivet Nut Inserts - M4 x 0.7mm

ORDER CODE

HAFCO Rivet Nut Inserts - M4 x 0.7mm

N014

MODEL	~
Type	Rivet Nut Inserts
Nut Insert Material (Type)	Aluminium
Quantity in Pack	50
Rivet Nut Inserts Range (Metric)	~
Blind Rivets (mm)	~
Thread Size (T) (Metric)	M4 x 0.7
Thread Length (TL) (Metric)	~
Length (L) (mm)	10.5
Head Height (HH) (mm)	0.9
Head Diameter (HD) (mm)	9
Diameter (D) (mm)	5.9
Hole Size (HS) (mm)	6
Grip Range (GR) (mm)	0.25 - 2.50
Torque to Turn (Kgf.cm)	40