

**HAFCO**



**Rivet Nut Inserts - M3 x 0.5mm**

**Aluminium**



## HAFCO Rivet Nut Inserts - M3 x 0.5mm



Packaging Front



Packaging Back

### Description

Suits ATR-10RN Air Operated or RNB40 Twin Handle Nut Riveters

### Features

- Aluminium inserts
- Fast & easy installation from one side
- Adds a threaded nut to thin sheet metal
- Knurled section under nut head for anti-rotation
- Easy to install
- \*\* NOTE: When used with RNB40 Nut Riveter, the M3 Nut Rivet Mandrel and Adaptor is required, sold separately (Order Code: N0021)

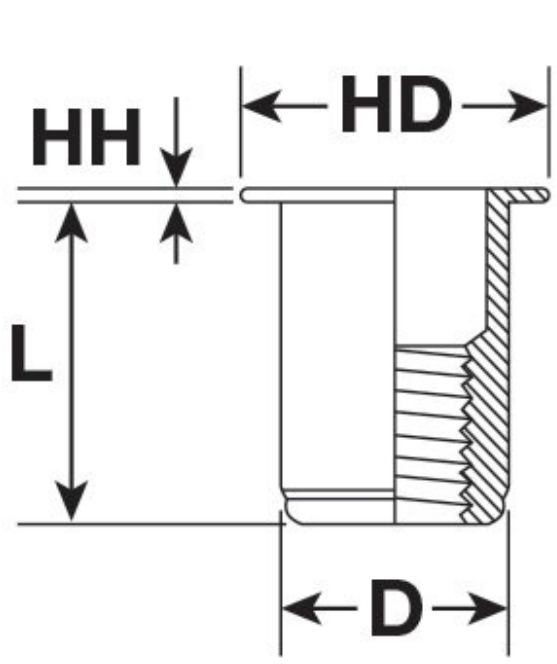
### Includes

- 50 x Rivet Nut Inserts - M3 x 0.5mm

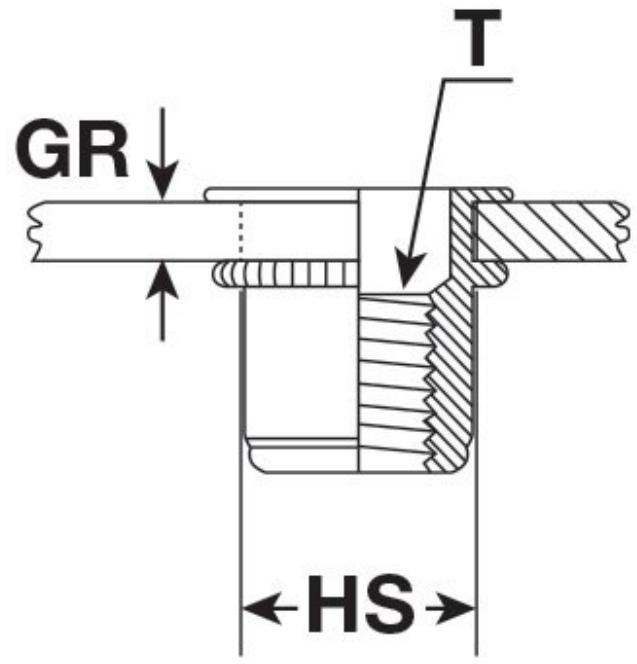
### Specifications

**HAFCO Rivet Nut Inserts - M3 x 0.5mm**

# NUT INSERT



**UNINSTALLED**



**INSTALLED**

**HAFCO Rivet Nut Inserts - M3 x 0.5mm**

**ORDER CODE**

**HAFCO Rivet Nut Inserts - M3 x 0.5mm**

N013

<b>MODEL</b>	~
<b>Type</b>	Rivet Nut Inserts
<b>Nut Insert Material (Type)</b>	Aluminium
<b>Quantity in Pack</b>	50
<b>Rivet Nut Inserts Range (Metric)</b>	~
<b>Blind Rivets (mm)</b>	~
<b>Thread Size (T) (Metric)</b>	M3 x 0.5
<b>Thread Length (TL) (Metric)</b>	~
<b>Length (L) (mm)</b>	9.25
<b>Head Height (HH) (mm)</b>	0.75
<b>Head Diameter (HD) (mm)</b>	8
<b>Diameter (D) (mm)</b>	4.9
<b>Hole Size (HS) (mm)</b>	5
<b>Grip Range (GR) (mm)</b>	0.25 - 2.00
<b>Torque to Turn (Kgf.cm)</b>	20