

HAFCO



Rivet Nut Inserts - M8 x 1.25mm

Steel - Zinc Plated



HAFCO Rivet Nut Inserts - M8 x 1.25mm



Packaging Front



Packaging Rear Side

Description

Suits ATR-10RN Air Operated or RNB40 Twin Handle Nut Riveters

Features

- Steel - Zinc Coated
- Fast & easy installation from one side
- Adds a threaded nut to thin sheet metal
- Knurled section under nut head for anti-rotation
- Easy to install

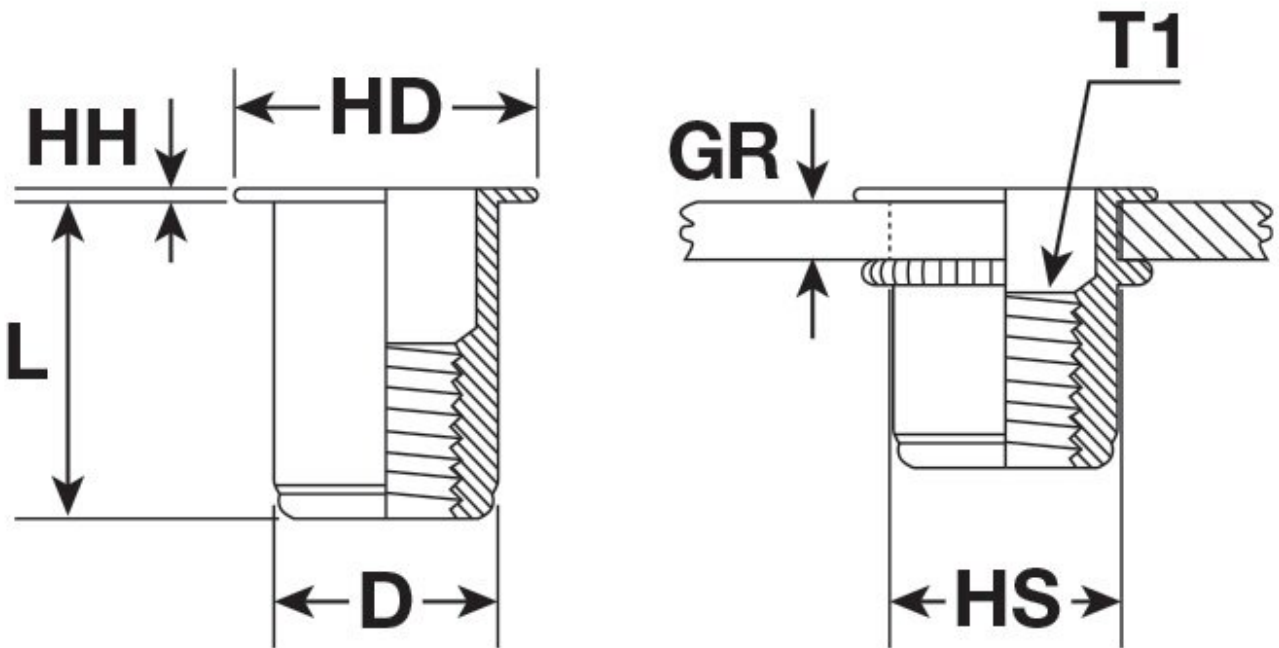
Includes

- 50 x Rivet Nut Inserts - M8 x 1.25mm

Specifications

HAFCO Rivet Nut Inserts - M8 x 1.25mm

NUT INSERT



UNINSTALLED

INSTALLED

HAFCO Rivet Nut Inserts - M8 x 1.25mm

ORDER CODE

HAFCO Rivet Nut Inserts - M8 x 1.25mm

N008

MODEL	~
Type	Rivet Nut Inserts
Nut Insert Material (Type)	Steel - Zinc Coated
Quantity in Pack	50
Rivet Nut Inserts Range (Metric)	~
Blind Rivets (mm)	~
Thread Size (T) (Metric)	M8 x 1.25
Thread Length (TL) (Metric)	~
Length (L) (mm)	16.4
Head Height (HH) (mm)	1.5
Head Diameter (HD) (mm)	15
Diameter (D) (mm)	10.9
Hole Size (HS) (mm)	11
Grip Range (GR) (mm)	1.00 - 3.00
Torque to Turn (Kgf.cm)	200