

**HAFCO**



**Rivet Nut Inserts - M5 x 0.8mm**

**Steel - Zinc Plated**



## HAFCO Rivet Nut Inserts - M5 x 0.8mm



Packaging Front



Packaging Rear Side

### Description

Suits ATR-10RN Air Operated or RNB40 Twin Handle Nut Riveters

### Features

- Steel - Zinc Coated
- Fast & easy installation from one side
- Adds a threaded nut to thin sheet metal
- Knurled section under nut head for anti-rotation
- Easy to install

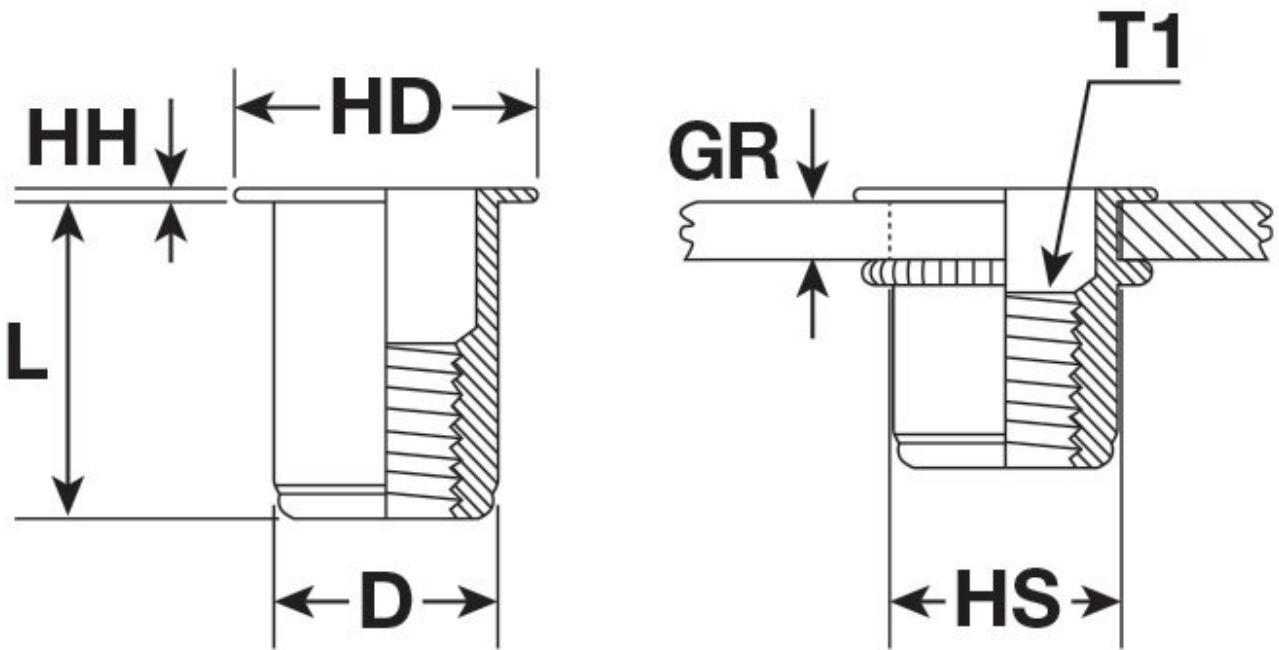
### Includes

- 50 x Rivet Nut Inserts - M5 x 0.8mm

### Specifications

**HAFCO Rivet Nut Inserts - M5 x 0.8mm**

# NUT INSERT



**UNINSTALLED**

**INSTALLED**

**HAFCO Rivet Nut Inserts - M5 x 0.8mm**

**ORDER CODE**

**HAFCO Rivet Nut Inserts - M5 x 0.8mm**

N005

|                                         |                     |
|-----------------------------------------|---------------------|
| <b>MODEL</b>                            | ~                   |
| <b>Type</b>                             | Rivet Nut Inserts   |
| <b>Nut Insert Material (Type)</b>       | Steel - Zinc Coated |
| <b>Quantity in Pack</b>                 | 50                  |
| <b>Rivet Nut Inserts Range (Metric)</b> | ~                   |
| <b>Blind Rivets (mm)</b>                | ~                   |
| <b>Thread Size (T) (Metric)</b>         | M5 x 0.8            |
| <b>Thread Length (TL) (Metric)</b>      | ~                   |
| <b>Length (L) (mm)</b>                  | 11.8                |
| <b>Head Height (HH) (mm)</b>            | 1.0                 |
| <b>Head Diameter (HD) (mm)</b>          | 9.95                |
| <b>Diameter (D) (mm)</b>                | 6.9                 |
| <b>Hole Size (HS) (mm)</b>              | 7                   |
| <b>Grip Range (GR) (mm)</b>             | 0.25 - 2.50         |
| <b>Torque to Turn (Kgf.cm)</b>          | 80                  |